



# ±15kV ESD-Protected, 1μA, 1Mbps, 3.0V to 5.5V, RS-232 Transceivers with AutoShutdown Plus

## General Description

The MAX3224E/MAX3225E/MAX3226E/MAX3227E/MAX3244E/MAX3245E are 3V-powered EIA/TIA-232 and V.28/V.24 communications interfaces with automatic shutdown/wakeup features, high data-rate capabilities, and enhanced electrostatic discharge (ESD) protection. All transmitter outputs and receiver inputs are protected to ±15kV using IEC 1000-4-2 Air-Gap Discharge, ±8kV using IEC 1000-4-2 Contact Discharge, and ±15kV using the Human Body Model.

All devices achieve a 1μA supply current using Maxim's revolutionary AutoShutdown Plus™ feature. These devices automatically enter a low-power shutdown mode when the RS-232 cable is disconnected or the transmitters of the connected peripherals are inactive, and the UART driving the transmitter inputs is inactive for more than 30 seconds. They turn on again when they sense a valid transition at any transmitter or receiver input. AutoShutdown Plus saves power without changes to the existing BIOS or operating system.

The MAX3225E/MAX3227E/MAX3245E also feature MegaBaud™ operation, guaranteeing 1Mbps for high-speed applications such as communicating with ISDN modems. The MAX3224E/MAX3226E/MAX3244E guarantee 250kbps operation. The transceivers have a proprietary low-dropout transmitter output stage enabling true RS-232 performance from a +3.0V to +5.5V supply with a dual charge pump. The charge pump requires only four small 0.1μF capacitors for operation from a 3.3V supply. The MAX3224E-MAX3227E feature a logic-level output (READY) that asserts when the charge pump is regulating and the device is ready to begin transmitting.

All devices are available in a space-saving SSOP and TSSOP (MAX3224E/MAX3225E/MAX3244E/MAX3245E) packages.

## Applications

Notebook, Subnotebook, and Palmtop Computers  
Cellular Phones  
Battery-Powered Equipment  
Hand-Held Equipment  
Peripherals  
Printers

† Covered by U.S. Patent numbers 4,636,930; 4,679,134; 4,777,577; 4,797,899; 4,809,152; 4,897,774; 4,999,761; 5,649,210; and other patents pending.

AutoShutdown Plus, MegaBaud, and UCSP are trademarks of Maxim Integrated Products, Inc.

## Next Generation Device Features

- ◆ For Space-Constrained Applications:  
MAX3228E/MAX3229E: ±15kV ESD-Protected, +2.5V to +5.5V, RS-232 Transceivers in UCSP  
MAX3222E/MAX3232E/MAX3241E†/MAX3246E: ±15kV ESD-Protected, Down to 10nA, +3.0V to +5.5V, Up to 1Mbps, True RS-232 Transceivers (MAX3246E Available in UCSP™)
- ◆ For Low-Voltage or Data Cable Applications:  
MAX3380E/MAX3381E: +2.35V to +5.5V, 1μA, 2Tx/2Rx RS-232 Transceivers with ±15kV ESD-Protected I/O and Logic Pins

## Ordering Information

| PART                | TEMP RANGE     | PIN-PACKAGE    |
|---------------------|----------------|----------------|
| <b>MAX3224</b> ECUP | 0°C to +70°C   | 20 TSSOP       |
| MAX3224ECAP         | 0°C to +70°C   | 20 SSOP        |
| MAX3224ECP          | 0°C to +70°C   | 20 Plastic DIP |
| MAX3224EEUP         | -40°C to +85°C | 20 TSSOP       |
| MAX3224EEAP         | -40°C to +85°C | 20 SSOP        |
| MAX3224EEPP         | -40°C to +85°C | 20 Plastic DIP |
| <b>MAX3225</b> ECUP | 0°C to +70°C   | 20 TSSOP       |
| MAX3225ECAP         | 0°C to +70°C   | 20 SSOP        |
| MAX3225ECP          | 0°C to +70°C   | 20 Plastic DIP |
| MAX3225EEUP         | -40°C to +85°C | 20 TSSOP       |
| MAX3225EEAP         | -40°C to +85°C | 20 SSOP        |
| MAX3225EEPP         | -40°C to +85°C | 20 Plastic DIP |
| <b>MAX3226</b> ECAE | 0°C to +70°C   | 16 SSOP        |
| MAX3226EEAE         | -40°C to +85°C | 16 SSOP        |
| <b>MAX3227</b> ECAE | 0°C to +70°C   | 16 SSOP        |
| MAX3227EEAE         | -40°C to +85°C | 16 SSOP        |

Ordering Information continued at end of data sheet.

## Selector Guide

| PART     | NO. OF DRIVERS/RECEIVERS | GUARANTEED DATA RATE (bps) | READY OUTPUT | Auto-Shutdown Plus |
|----------|--------------------------|----------------------------|--------------|--------------------|
| MAX3224E | 2/2                      | 250k                       | ✓            | ✓                  |
| MAX3225E | 2/2                      | 1M                         | ✓            | ✓                  |
| MAX3226E | 1/1                      | 250k                       | ✓            | ✓                  |
| MAX3227E | 1/1                      | 1M                         | ✓            | ✓                  |
| MAX3244E | 3/5                      | 250k                       | —            | ✓                  |
| MAX3245E | 3/5                      | 1M                         | —            | ✓                  |

MAX3224E-MAX3227E/MAX3244E/MAX3245E†



# ±15kV ESD-Protected, 1µA, 1Mbps, 3.0V to 5.5V, RS-232 Transceivers with AutoShutdown Plus

## ABSOLUTE MAXIMUM RATINGS

|   |                                   |  |                 |
|---|-----------------------------------|--|-----------------|
| V <sub>CC</sub> to GND .....                          | -0.3V to +6V                      | 20-Pin Plastic DIP (derate 11.11mW/°C above +70°C) ... | 889mW           |
| V <sub>+</sub> to GND (Note 1) .....                  | -0.3V to +7V                      | 20-Pin SSOP (derate 8.00mW/°C above +70°C) .....       | 640mW           |
| V <sub>-</sub> to GND (Note 1) .....                  | +0.3V to -7V                      | 20-Pin TSSOP (derate 10.9mW/°C above +70°C) .....      | 879mW           |
| V <sub>+</sub> +  V <sub>-</sub>   (Note 1) .....     | +13V                              | 28-Pin Wide SO (derate 12.5mW/°C above +70°C) .....    | 1W              |
| Input Voltages  |                                   | 28-Pin SSOP (derate 9.52mW/°C above +70°C) .....       | 762mW           |
| T <sub>IN</sub> , FORCEON, FORCEOFF to GND .....      | -0.3V to +6V                      | 28-Pin TSSOP (derate 12.8mW/°C above +70°C) .....      | 1026mW          |
| R <sub>IN</sub> to GND .....                          | ±25V                              | 36-Pin Thin QFN (derate 26.3mW/°C above +70°C) .....   | 2105mW          |
| Output Voltages                                       |                                   | Operating Temperature Ranges                           |                 |
| T <sub>OUT</sub> to GND .....                         | ±13.2V                            | MAX32__EC__ .....                                      | 0°C to +70°C    |
| R <sub>OUT</sub> , INVALID, READY to GND .....        | -0.3V to (V <sub>CC</sub> + 0.3V) | MAX32__EE__ .....                                      | -40°C to +85°C  |
| Short-Circuit Duration                                |                                   | Storage Temperature Range .....                        | -65°C to +160°C |
| T <sub>OUT</sub> to GND .....                         | Continuous                        | Lead Temperature (soldering, 10s) .....                | +300°C          |
| Continuous Power Dissipation (T <sub>A</sub> = +70°C) |                                   |  |                 |
| 16-Pin SSOP (derate 7.14mW/°C above +70°C) .....      | 571mW                             |  |                 |

**Note 1:** V<sub>+</sub> and V<sub>-</sub> can have maximum magnitudes of 7V, but their absolute difference cannot exceed 13V.

Stresses beyond those listed under "Absolute Maximum Ratings" may cause permanent damage to the device. These are stress ratings only, and functional operation of the device at these or any other conditions beyond those indicated in the operational sections of the specifications is not implied. Exposure to absolute maximum rating conditions for extended periods may affect device reliability.

## ELECTRICAL CHARACTERISTICS

(V<sub>CC</sub> = +3V to +5.5V, C<sub>1</sub>–C<sub>4</sub> = 0.1µF, tested at 3.3V ±10%; C<sub>L</sub> = 0.047µF, C<sub>2</sub>–C<sub>4</sub> = 0.33µF, tested at 5.0V ±10%; T<sub>A</sub> = T<sub>MIN</sub> to T<sub>MAX</sub>, unless otherwise noted. Typical values are at T<sub>A</sub> = +25°C.)

| PARAMETER  | SYMBOL | CONDITIONS   | MIN                    | TYP   | MAX                   | UNITS |
|--|--------|--|------------------------|-------|-----------------------|-------|
| <b>DC CHARACTERISTICS</b> (V <sub>CC</sub> = 3.3V or 5.0V, T <sub>A</sub> = +25°C) |        |  |                        |       |                       |       |
| Supply Current, AutoShutDown Plus  |        | FORCEON = GND, FORCEOFF = V <sub>CC</sub> , all R <sub>IN</sub> idle, all T <sub>IN</sub> idle |                        | 1     | 10                    | µA    |
| Supply Current, Shutdown   |        | FORCEOFF = GND   |                        | 1     | 10                    | µA    |
| Supply Current, AutoShutDown Plus Disabled   |        | FORCEON = FORCEOFF = V <sub>CC</sub> , no load   |                        | 0.3   | 1                     | mA    |
| <b>LOGIC INPUTS AND RECEIVER OUTPUTS</b>   |        |  |                        |       |                       |       |
| Input Logic Threshold Low  |        | T <sub>IN</sub> , FORCEON, FORCEOFF  |                        |       | 0.8                   | V     |
| Input Logic Threshold High   |        | T <sub>IN</sub> , FORCEON, FORCEOFF  | V <sub>CC</sub> = 3.3V | 2     |                       | V     |
|  |        |  | V <sub>CC</sub> = 5.0V | 2.4   |                       |       |
| Transmitter Input Hysteresis   |        |  |                        | 0.5   |                       | V     |
| Input Leakage Current  |        | T <sub>IN</sub> , FORCEON, FORCEOFF  |                        | ±0.01 | ±1                    | µA    |
| Output Leakage Current   |        | R <sub>OUT</sub> (MAX3244E/MAX3245E), receivers disabled                                       |                        | ±0.05 | ±10                   | µA    |
| Output Voltage Low   |        | I <sub>OUT</sub> = 1.6mA   |                        |       | 0.4                   | V     |
| Output Voltage High  |        | I <sub>OUT</sub> = -1.0mA  | V <sub>CC</sub> - 0.6  |       | V <sub>CC</sub> - 0.1 | V     |
| <b>RECEIVER INPUTS</b>   |        |  |                        |       |                       |       |
| Input Voltage Range  |        |  | -25                    |       | +25                   | V     |
| Input Threshold Low  |        | T <sub>A</sub> = +25°C   | V <sub>CC</sub> = 3.3V | 0.6   | 1.2                   | V     |
|  |        |  | V <sub>CC</sub> = 5.0V | 0.8   | 1.5                   |       |
| Input Threshold High   |        | T <sub>A</sub> = +25°C   | V <sub>CC</sub> = 3.3V |       | 1.5                   | 2.4   |
|  |        |  | V <sub>CC</sub> = 5.0V |       | 1.8                   | 2.4   |
| Input Hysteresis   |        |  |                        | 0.5   |                       | V     |
| Input Resistance   |        | T <sub>A</sub> = +25°C   | 3                      | 5     | 7                     | kΩ    |

# ±15kV ESD-Protected, 1µA, 1Mbps, 3.0V to 5.5V, RS-232 Transceivers with AutoShutdown Plus

MAX3224E-MAX3227E/MAX3244E/MAX3245E †

## ELECTRICAL CHARACTERISTICS (continued)

(V<sub>CC</sub> = +3V to +5.5V, C<sub>1</sub>-C<sub>4</sub> = 0.1µF, tested at 3.3V ±10%; C<sub>L</sub> = 0.047µF, C<sub>2</sub>-C<sub>4</sub> = 0.33µF, tested at 5.0V ±10%; T<sub>A</sub> = T<sub>MIN</sub> to T<sub>MAX</sub>, unless otherwise noted. Typical values are at T<sub>A</sub> = +25°C.)

| PARAMETER   | SYMBOL                | CONDITIONS   | MIN                   | TYP  | MAX | UNITS |
|---|-----------------------|--|-----------------------|------|-----|-------|
| <b>TRANSMITTER OUTPUTS</b>  |                       |  |                       |      |     |       |
| Output Voltage Swing  |                       | All transmitter outputs loaded with 3kΩ to ground  | ±5                    | ±5.4 |     | V     |
| Output Resistance   |                       | V <sub>CC</sub> = V <sub>+</sub> = V <sub>-</sub> = 0, transmitter outputs = ±2V                                 | 300                   | 10M  |     | Ω     |
| Output Short-Circuit Current  |                       |  |                       |      | ±60 | mA    |
| Output Leakage Current  |                       | V <sub>CC</sub> = 0 or 3V to 5.5V, V <sub>OUT</sub> = ±12V, Transmitters disabled                                |                       |      | ±25 | µA    |
| <b>MOUSE DRIVEABILITY (MAX3244E/MAX3245E)</b>                       |                       |  |                       |      |     |       |
| Transmitter Output Voltage  |                       | T1IN = T2IN = GND, T3IN = V <sub>CC</sub> , T3OUT loaded with 3kΩ to GND, T1OUT and T2OUT loaded with 2.5mA each | ±5                    |      |     | V     |
| <b>ESD PROTECTION</b>   |                       |  |                       |      |     |       |
| R <sub>IN</sub> , T <sub>OUT</sub>                                  |                       | IEC1000-4-2 Air Discharge  |                       | ±15  |     | kV    |
|   |                       | IEC1000-4-2 Contact Discharge  |                       | ±8   |     |       |
|   |                       | Human Body Model   |                       | ±15  |     |       |
| <b>AutoShutdown Plus (FORCEON = GND, FORCEOFF = V<sub>CC</sub>)</b> |                       |  |                       |      |     |       |
| Receiver Input Threshold to <u>INVALID</u> Output High              |                       | Figure 4a  | Positive threshold    |      | 2.7 | V     |
|   |                       |  | Negative threshold    | -2.7 |     |       |
| Receiver Input Threshold to <u>INVALID</u> Output Low               |                       | Figure 4a  | -0.3                  |      | 0.3 | V     |
| <u>INVALID</u> , READY Output Voltage Low (MAX3224E-MAX3227E)       |                       | I <sub>OUT</sub> = -1.6mA  |                       |      | 0.4 | V     |
| <u>INVALID</u> , READY Output Voltage High (MAX3224E-MAX3227E)      |                       | I <sub>OUT</sub> = -1.0mA  | V <sub>CC</sub> - 0.6 |      |     | V     |
| Receiver Positive or Negative Threshold to <u>INVALID</u> High      | t <sub>INVH</sub>     | V <sub>CC</sub> = 5V, Figure 4b  |                       | 1    |     | µs    |
| Receiver Positive or Negative Threshold to <u>INVALID</u> Low       | t <sub>INVL</sub>     | V <sub>CC</sub> = 5V, Figure 4b  |                       | 30   |     | µs    |
| Receiver or Transmitter Edge to Transmitters Enabled                | t <sub>WU</sub>       | V <sub>CC</sub> = 5V, Figure 5b (Note 2)   |                       | 100  |     | µs    |
| Receiver or Transmitter Edge to Transmitters Shutdown               | t <sub>AUTOSHDN</sub> | V <sub>CC</sub> = 5V, Figure 5b (Note 2)   | 15                    | 30   | 60  | s     |

# ±15kV ESD-Protected, 1µA, 1Mbps, 3.0V to 5.5V, RS-232 Transceivers with AutoShutdown Plus

## TIMING CHARACTERISTICS—MAX3224E/MAX3226E/MAX3244E

(V<sub>CC</sub> = +3V to +5.5V, C<sub>1</sub>–C<sub>4</sub> = 0.1µF, tested at 3.3V ±10%; C<sub>L</sub> = 0.047µF, C<sub>2</sub>–C<sub>4</sub> = 0.33µF, tested at 5.0V ±10%; T<sub>A</sub> = T<sub>MIN</sub> to T<sub>MAX</sub>, unless otherwise noted. Typical values are at T<sub>A</sub> = +25°C.)

| PARAMETER                    | SYMBOL                              | CONDITIONS   | MIN | TYP  | MAX | UNITS |
|------------------------------|-------------------------------------|--|-----|------|-----|-------|
| Maximum Data Rate            |                                     | R <sub>L</sub> = 3kΩ, C <sub>L</sub> = 1000pF, one transmitter switching   | 250 |      |     | kbps  |
| Receiver Propagation Delay   | t <sub>PHL</sub>                    | R <sub>IN</sub> to R <sub>OUT</sub> , C <sub>L</sub> = 150pF   |     | 0.15 |     | µs    |
|                              | t <sub>PLH</sub>                    |  |     | 0.15 |     |       |
| Receiver Output Enable Time  |                                     | Normal operation (MAX3244E only)   |     | 200  |     | ns    |
| Receiver Output Disable Time |                                     | Normal operation (MAX3244E only)   |     | 200  |     | ns    |
| Transmitter Skew             | t <sub>PHL</sub> - t <sub>PLH</sub> | (Note 3)   |     | 100  |     | ns    |
| Receiver Skew                | t <sub>PHL</sub> - t <sub>PLH</sub> |  |     | 50   |     | ns    |
| Transition-Region Slew Rate  |                                     | V <sub>CC</sub> = 3.3V, T <sub>A</sub> = +25°C, R <sub>L</sub> = 3kΩ to 7kΩ, measured from +3V to -3V or -3V to +3V, one transmitter switching |     |      | 30  | V/µs  |
|                              |                                     | C <sub>L</sub> = 150pF to 1000pF   | 6   |      |     |       |

## TIMING CHARACTERISTICS—MAX3225E/MAX3227E/MAX3245E

(V<sub>CC</sub> = +3V to +5.5V, C<sub>1</sub>–C<sub>4</sub> = 0.1µF, tested at 3.3V ±10%; C<sub>L</sub> = 0.047µF, C<sub>2</sub>–C<sub>4</sub> = 0.33µF, tested at 5.0V ±10%; T<sub>A</sub> = T<sub>MIN</sub> to T<sub>MAX</sub>, unless otherwise noted. Typical values are at T<sub>A</sub> = +25°C.)

| PARAMETER                    | SYMBOL                              | CONDITIONS   | MIN  | TYP  | MAX | UNITS |
|------------------------------|-------------------------------------|--|------|------|-----|-------|
| Maximum Data Rate            |                                     | R <sub>L</sub> = 3kΩ, C <sub>L</sub> = 1000pF, one transmitter switching   | 250  |      |     | kbps  |
|                              |                                     | V <sub>CC</sub> = 3.0V to 4.5V, R <sub>L</sub> = 3kΩ, C <sub>L</sub> = 250pF, one transmitter switching  | 1000 |      |     |       |
|                              |                                     | V <sub>CC</sub> = 4.5V to 5.5V, R <sub>L</sub> = 3kΩ, C <sub>L</sub> = 1000pF, one transmitter switching   | 1000 |      |     |       |
| Receiver Propagation Delay   | t <sub>PHL</sub>                    | R <sub>IN</sub> to R <sub>OUT</sub> , C <sub>L</sub> = 150pF   |      | 0.15 |     | µs    |
|                              | t <sub>PLH</sub>                    |  |      | 0.15 |     |       |
| Receiver Output Enable Time  |                                     | Normal operation (MAX3245E only)   |      | 200  |     | ns    |
| Receiver Output Disable Time |                                     | Normal operation (MAX3245E only)   |      | 200  |     | ns    |
| Transmitter Skew             | t <sub>PHL</sub> - t <sub>PLH</sub> | (Note 3)   |      | 25   |     | ns    |
| Receiver Skew                | t <sub>PHL</sub> - t <sub>PLH</sub> |  |      | 50   |     | ns    |
| Transition-Region Slew Rate  |                                     | V <sub>CC</sub> = 3.3V, T <sub>A</sub> = +25°C, R <sub>L</sub> = 3kΩ to 7kΩ, C <sub>L</sub> = 150pF to 1000pF, measured from +3V to -3V or -3V to +3V, one transmitter switching |      |      | 150 | V/µs  |
|                              |                                     |  | 24   |      |     |       |

**Note 2:** A transmitter/receiver edge is defined as a transition through the transmitter/receiver input logic thresholds.

**Note 3:** Transmitter skew is measured at the transmitter zero cross points.

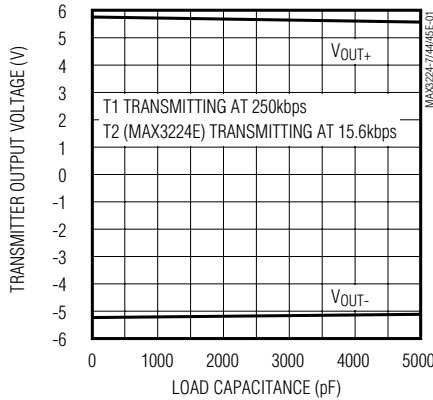
# ±15kV ESD-Protected, 1μA, 1Mbps, 3.0V to 5.5V, RS-232 Transceivers with AutoShutdown Plus

## Typical Operating Characteristics

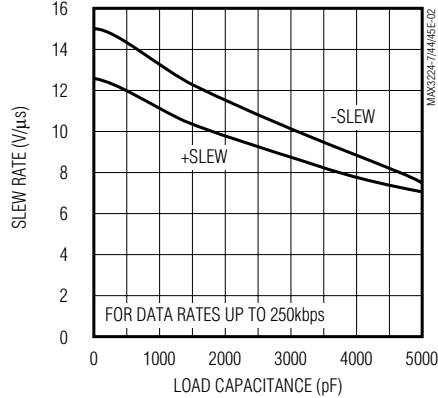
(V<sub>CC</sub> = +3.3V, 250kbps data rate, 0.1μF capacitors, all transmitters loaded with 3kΩ and C<sub>L</sub>, T<sub>A</sub> = +25°C, unless otherwise noted.)

MAX3224E-MAX3227E/MAX3244E/MAX3245E

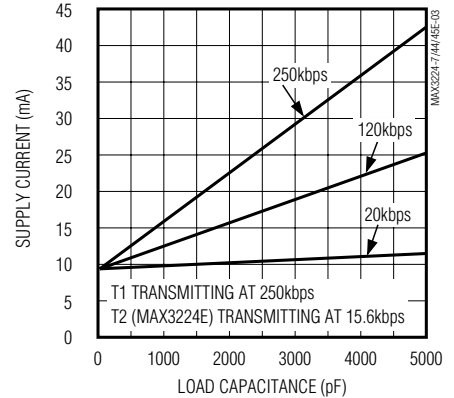
**MAX3224E/MAX3226E  
TRANSMITTER OUTPUT VOLTAGE  
vs. LOAD CAPACITANCE**



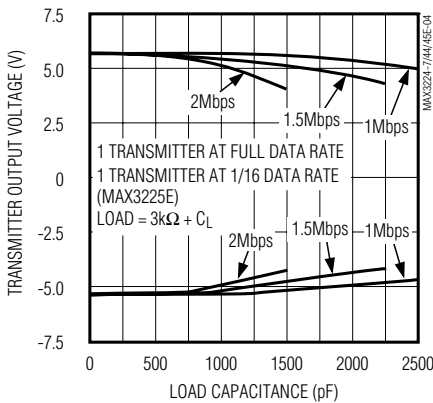
**MAX3224E/MAX3226E  
SLEW RATE vs. LOAD CAPACITANCE**



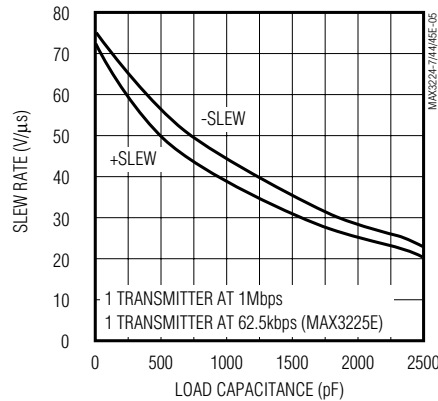
**MAX3224E/MAX3226E  
OPERATING SUPPLY CURRENT  
vs. LOAD CAPACITANCE**



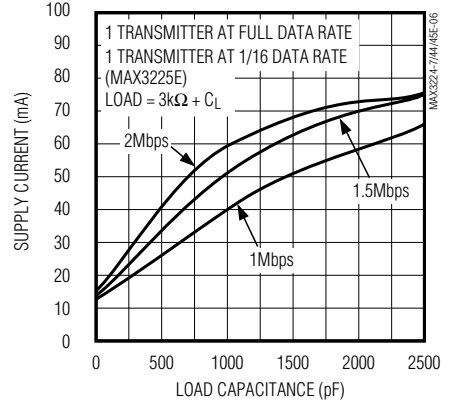
**MAX3225E/MAX3227E  
TRANSMITTER OUTPUT VOLTAGE  
vs. LOAD CAPACITANCE**



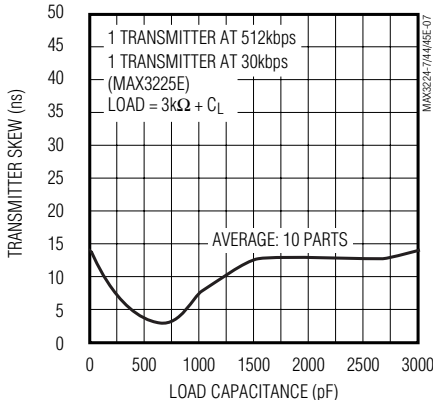
**MAX3225E/MAX3227E  
SLEW RATE vs. LOAD CAPACITANCE**



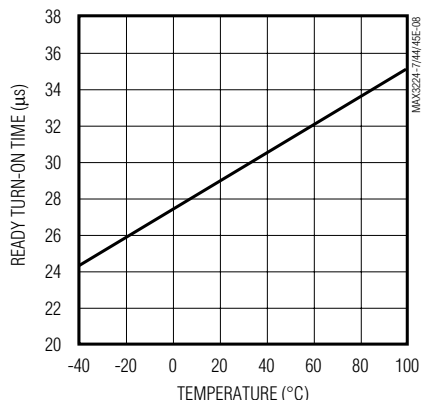
**MAX3225E/MAX3227E  
OPERATING SUPPLY CURRENT  
vs. LOAD CAPACITANCE**



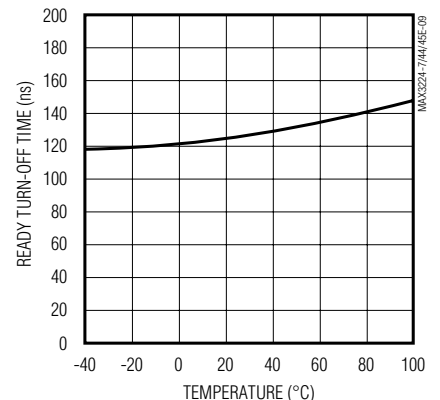
**MAX3225E/MAX3227E  
TRANSMITTER SKEW  
vs. LOAD CAPACITANCE**



**MAX3224E-MAX3227E  
READY TURN-ON TIME  
vs. TEMPERATURE**



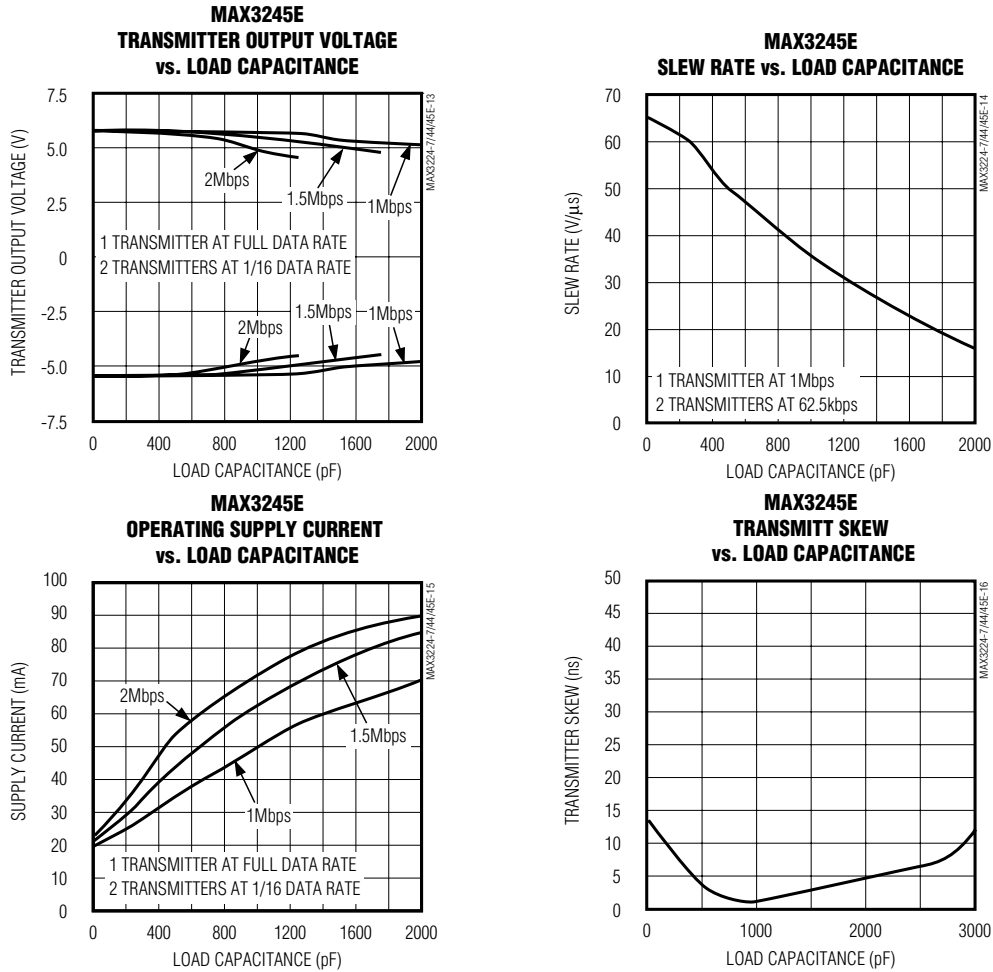
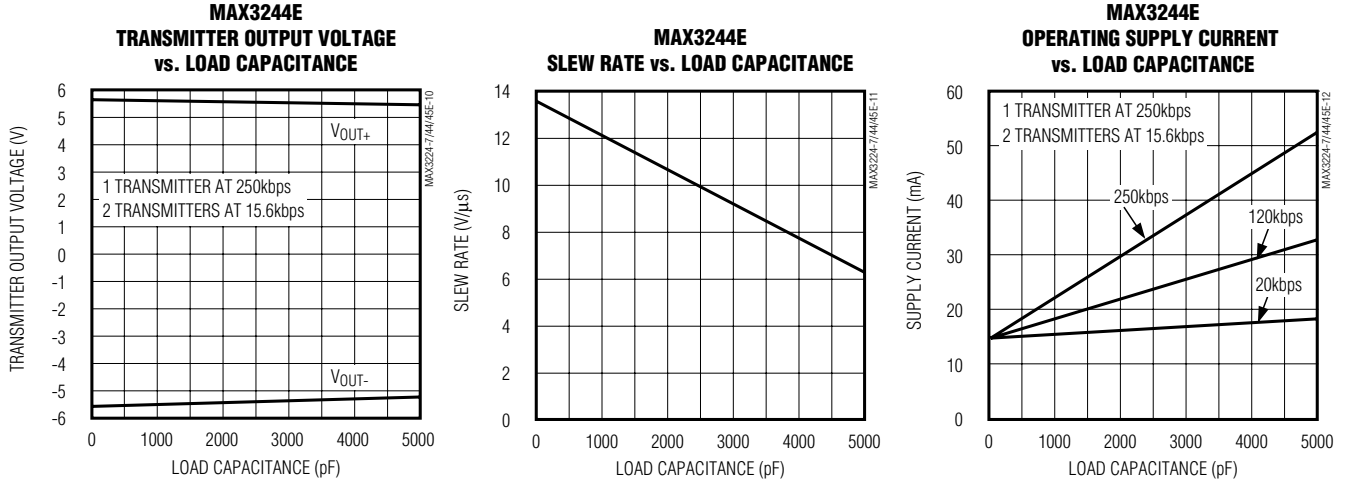
**MAX3224E-MAX3227E  
READY TURN-OFF TIME  
vs. TEMPERATURE**



# ±15kV ESD-Protected, 1µA, 1Mbps, 3.0V to 5.5V, RS-232 Transceivers with AutoShutdown Plus

## Typical Operating Characteristics (continued)

(V<sub>CC</sub> = +3.3V, 250kbps data rate, 0.1µF capacitors, all transmitters loaded with 3kΩ and C<sub>L</sub>, T<sub>A</sub> = +25°C, unless otherwise noted.)



# ±15kV ESD-Protected, 1µA, 1Mbps, 3.0V to 5.5V, RS-232 Transceivers with AutoShutdown Plus

## Pin Description

| PIN                  |                      |  |                               | NAME                         | FUNCTION  |
|----------------------|----------------------|--|-------------------------------|------------------------------|---|
| MAX3224E<br>MAX3225E | MAX3226E<br>MAX3227E | MAX3244E<br>MAX3245E<br>(SO, SSOP,<br>TSSOP) | MAX3245E<br>(TQFN)            |                              |   |
| 1                    | 1                    | —  | —                             | READY                        | Ready to Transmit Output, active-high. READY is enabled high when V- goes below -4V and the device is ready to transmit.  |
| 2                    | 2                    | 28   | 31                            | C1+                          | Positive Terminal of Voltage-Doubler Charge-Pump Capacitor  |
| 3                    | 3                    | 27   | 30                            | V+                           | +5.5V generated by the charge pump  |
| 4                    | 4                    | 24   | 26                            | C1-                          | Negative Terminal of Voltage-Doubler Charge-Pump Capacitor  |
| 5                    | 5                    | 1  | 33                            | C2+                          | Positive Terminal of Inverting Charge-Pump Capacitor  |
| 6                    | 6                    | 2  | 34                            | C2-                          | Negative Terminal of Inverting Charge-Pump Capacitor  |
| 7                    | 7                    | 3  | 35                            | V-                           | -5.5V generated by the charge pump  |
| 8, 17                | 13                   | 9, 10, 11                                    | 7, 8, 9                       | T_OUT                        | RS-232 Transmitter Outputs  |
| 9, 16                | 8                    | 4-8  | 1-5                           | R_IN                         | RS-232 Receiver Inputs  |
| 10, 15               | 9                    | 15-19  | 15, 16, 17, 19, 20            | R_OUT                        | TTL/CMOS Receiver Outputs   |
| 11                   | 10                   | 21   | 23                            | $\overline{\text{INVALID}}$  | Valid Signal Detector Output, active low. A logic high indicates that a valid RS-232 level is present on a receiver input.  |
| 12, 13               | 11                   | 12-14  | 11, 12, 13                    | T_IN                         | TTL/CMOS Transmitter Inputs   |
| 14                   | 12                   | 23   | 25                            | FORCEON                      | Force-On Input, active high. Drive high to override AutoShutdown Plus, keeping transmitters and receivers on (FORCEOFF must be high) (Table 1).                       |
| 18                   | 14                   | 25   | 27                            | GND                          | Ground  |
| 19                   | 15                   | 26   | 29                            | V <sub>CC</sub>              | +3.0V to +5.5V Single Supply Voltage  |
| 20                   | 16                   | 22   | 24                            | $\overline{\text{FORCEOFF}}$ | Force-Off Input, active low. Drive low to shut down transmitters, receivers (except R2OUTB), and charge pump. This overrides AutoShutdown Plus and FORCEON (Table 1). |
| —                    | —                    | 20   | 21                            | R2OUTB                       | TTL/CMOS Noninverting Complementary Receiver Outputs. Always active.  |
| —                    | —                    | —  | 6, 10, 14, 18, 22, 28, 32, 36 | N.C.                         | No Connection. Not internally connected.  |

## Detailed Description

### Dual Charge-Pump Voltage Converter

The MAX3224E-MAX3227E/MAX3244E/MAX3245E's internal power supply consists of a regulated dual charge pump that provides output voltages of +5.5V (doubling charge pump) and -5.5V (inverting charge pump), over the +3.0V to +5.5V range. The charge pump operates in discontinuous mode: if the output

voltages are less than 5.5V, the charge pump is enabled; if the output voltages exceed 5.5V, the charge-pump is disabled. Each charge pump requires a flying capacitor (C1, C2) and a reservoir capacitor (C3, C4) to generate the V+ and V- supplies.

The READY output (MAX3224E-MAX3227E) is low when the charge pumps are disabled in shutdown mode. The READY signal asserts high when V- goes below -4V.

MAX3224E-MAX3227E/MAX3244E/MAX3245E †

# ±15kV ESD-Protected, 1µA, 1Mbps, 3.0V to 5.5V, RS-232 Transceivers with AutoShutdown Plus

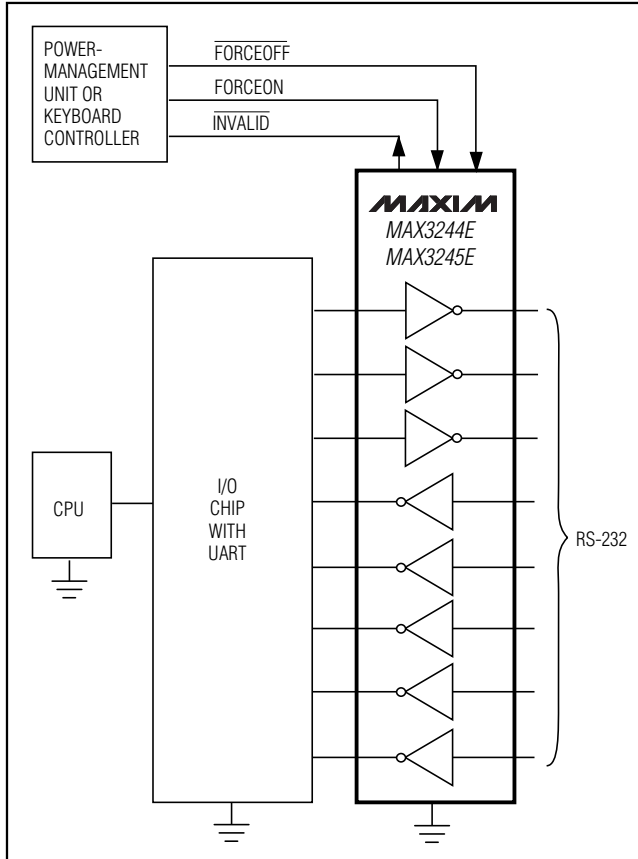


Figure 1. Interface Under Control of PMU

### RS-232 Transmitters

The transmitters are inverting level translators that convert CMOS-logic levels to 5.0V EIA/TIA-232 levels. The MAX3224E/MAX3226E/MAX3244E guarantee a 250kbps data rate (1Mbps, for the MAX3225E/MAX3227E/MAX3245E) with worst-case loads of 3kΩ in parallel with 1000pF, providing compatibility with PC-to-PC communication software (such as LapLink™). Transmitters can be paralleled to drive multiple receivers. Figure 1 shows a complete system connection.

When  $\overline{\text{FORCEOFF}}$  is driven to ground or when the Auto-Shutdown Plus circuitry senses that all receiver and transmitter inputs are inactive for more than 30s, the transmitters are disabled and the outputs go into a high-impedance state. When powered off or shut down, the outputs can be driven to ±12V. The transmitter inputs do not have pullup resistors. Connect unused inputs to GND or VCC.

LapLink is a trademark of Traveling Software.

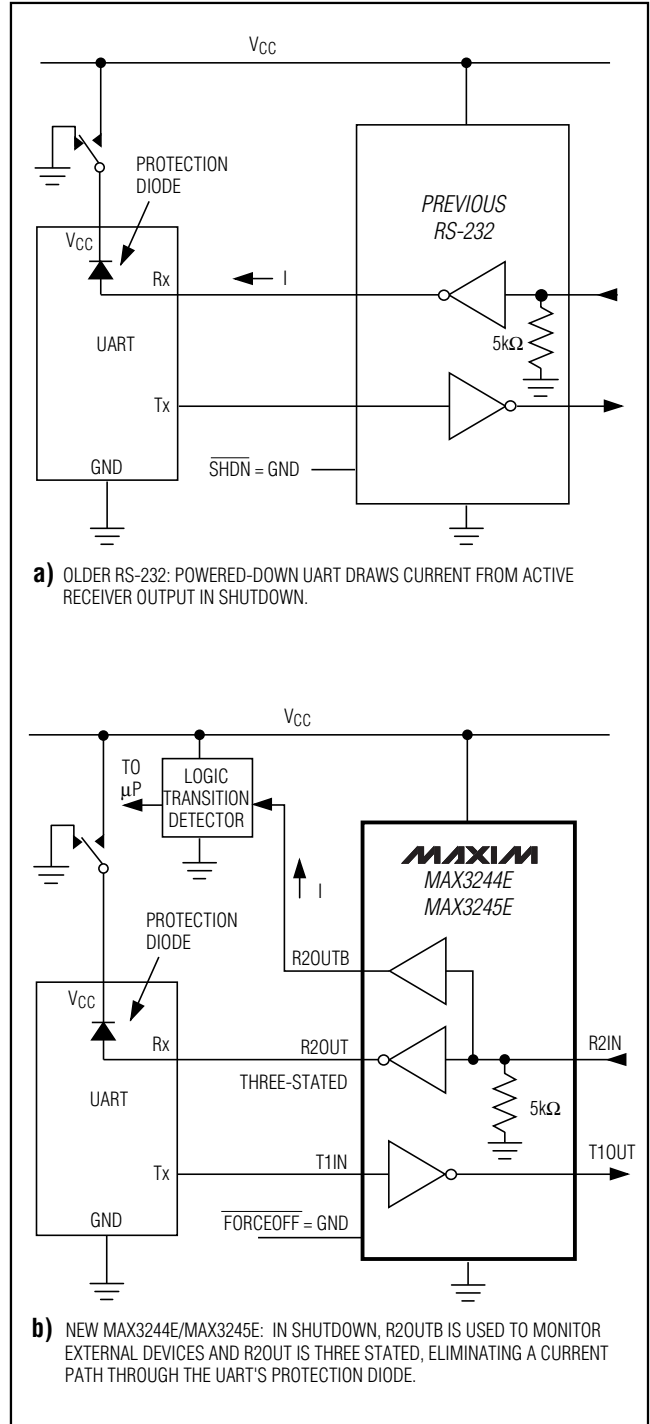


Figure 2. The MAX3244E/MAX3245E detect RS-232 activity when the UART and interface are shut down.



# ±15kV ESD-Protected, 1µA, 1Mbps, 3.0V to 5.5V, RS-232 Transceivers with AutoShutdown Plus

**Table 1. Output Control Truth Table**

| OPERATION STATUS                     | FORCEON                       | $\overline{\text{FORCEOFF}}$     | VALID RECEIVER LEVEL | RECEIVER OR TRANSMITTER EDGE WITHIN 30s | T_OUT  | R_OUT (MAX3224E/MAX3225E/MAX3226E/MAX3227E) | R_OUT (MAX3244E/MAX3245E) | R2OUTB (MAX3244E/MAX3245E) |
|--------------------------------------|-------------------------------|----------------------------------|----------------------|---|--------|---|---------------------------|----------------------------|
| Shutdown (Forced Off)                | X                             | 0                                | X                    | X                                       | High-Z | Active                                      | High-Z                    | Active                     |
| Normal Operation (Forced On)         | 1                             | 1                                | X                    | X                                       | Active | Active                                      | Active                    | Active                     |
| Normal Operation (AutoShutdown Plus) | 0                             | 1                                | X                    | Yes                                     | Active | Active                                      | Active                    | Active                     |
| Shutdown (Auto-Shutdown Plus)        | 0                             | 1                                | X                    | No                                      | High-Z | Active                                      | Active                    | Active                     |
| Normal Operation                     | $\overline{\text{INVALID}}^*$ | 1                                | Yes                  | X                                       | Active | Active                                      | Active                    | Active                     |
| Normal Operation                     | $\overline{\text{INVALID}}^*$ | 1                                | X                    | Yes                                     | Active | Active                                      | Active                    | Active                     |
| Shutdown                             | $\overline{\text{INVALID}}^*$ | 1                                | No                   | No                                      | High-Z | Active                                      | Active                    | Active                     |
| Normal Operation (AutoShutdown)      | $\overline{\text{INVALID}}^*$ | $\overline{\text{INVALID}}^{**}$ | Yes                  | X                                       | Active | Active                                      | Active                    | Active                     |
| Shutdown (AutoShutdown)              | $\overline{\text{INVALID}}^*$ | $\overline{\text{INVALID}}^{**}$ | No                   | X                                       | High-Z | Active                                      | High-Z                    | Active                     |

X = Don't care

\*  $\overline{\text{INVALID}}$  connected to FORCEON

\*\*  $\overline{\text{INVALID}}$  connected to FORCEON and  $\overline{\text{FORCEOFF}}$

## RS-232 Receivers

The receivers convert RS-232 signals to CMOS-logic output levels. The MAX3224E–MAX3227E feature inverting outputs that always remain active (Table 1). The MAX3244E/MAX3245E have inverting three-state outputs that are high impedance when shut down ( $\overline{\text{FORCEOFF}} = \text{GND}$ ) (Table 1).

The MAX3244E/MAX3245E feature an extra, always active, noninverting output, R2OUTB. R2OUTB output monitors receiver activity while the other receivers are high impedance, allowing ring indicator applications to be monitored without forward biasing other devices connected to the receiver outputs. This is ideal for systems where V<sub>CC</sub> is set to ground in shutdown to accommodate peripherals such as UARTs (Figure 2).

The MAX3224E–MAX3227E/MAX3244E/MAX3245E feature an  $\overline{\text{INVALID}}$  output that is enabled low when no valid RS-232 voltage levels have been detected on all receiver inputs. Because  $\overline{\text{INVALID}}$  indicates the receiver input's condition, it is independent of FORCEON and  $\overline{\text{FORCEOFF}}$  states (Figures 3 and 4).

## AutoShutdown Plus Mode

The MAX3224E–MAX3227E/MAX3244E/MAX3245E achieve a 1µA supply current with Maxim's AutoShutdown Plus feature, which operates when  $\overline{\text{FORCEOFF}}$  is high and a FORCEON is low. When these devices do not sense a valid signal transition on any receiver and transmitter input for 30s, the on-board charge pumps are shut down, reducing supply current to 1µA. This occurs if the RS-232 cable is disconnected or if the connected

MAX3224E–MAX3227E/MAX3244E/MAX3245E †

# ±15kV ESD-Protected, 1µA, 1Mbps, 3.0V to 5.5V, RS-232 Transceivers with AutoShutdown Plus

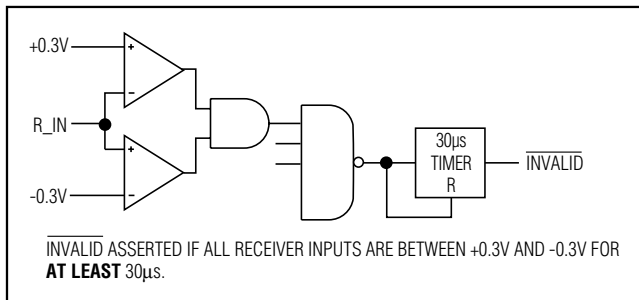


Figure 3a.  $\overline{\text{INVALID}}$  Functional Diagram,  $\overline{\text{INVALID}}$  Low

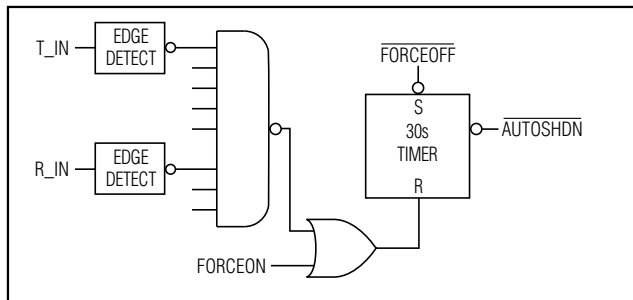


Figure 3c. AutoShutdown Plus Logic

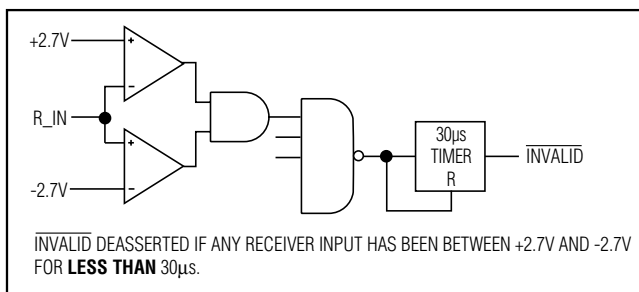


Figure 3b.  $\overline{\text{INVALID}}$  Functional Diagram,  $\overline{\text{INVALID}}$  High

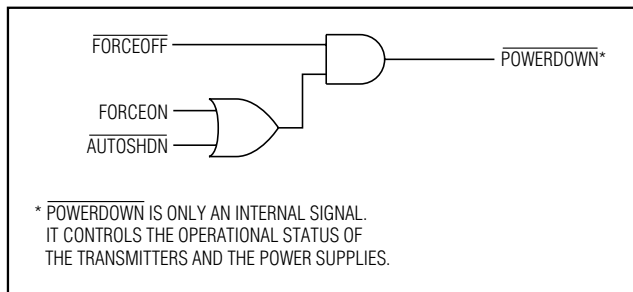


Figure 3d. Power-Down Logic

**Table 2.  $\overline{\text{INVALID}}$  Truth Table**

| RS-232 SIGNAL PRESENT AT ANY RECEIVER INPUT | $\overline{\text{INVALID}}$ OUTPUT |
|---|------------------------------------|
| Yes   | High                               |
| No  | Low                                |

peripheral transmitters are turned off, and the UART driving the transmitter inputs is inactive. The system turns on again when a valid transition is applied to any RS-232 receiver or transmitter input. As a result, the system saves power without changes to the existing BIOS or operating system.

Figures 3a and 3b depict valid and invalid RS-232 receiver voltage levels.  $\overline{\text{INVALID}}$  indicates the receiver input's condition, and is independent of FORCEON and FORCEOFF states. Figure 3 and Tables 1 and 2 summarize the operating modes of the MAX3224E-MAX3227E/MAX3244E/MAX3245E. FORCEON and FORCEOFF override AutoShutdown Plus circuitry. When neither control is asserted, the IC selects between these states automatically based on the last receiver or transmitter input edge received.

When shut down, the device's charge pumps turn off, V+ is pulled to VCC, V- is pulled to ground, the transmitter outputs are high impedance, and READY (MAX3224E-MAX3227E) is driven low. The time required to exit shutdown is typically 100µs (Figure 8).

By connecting FORCEON to  $\overline{\text{INVALID}}$ , the MAX3224E-MAX3227E/MAX3244E/MAX3245E shut down when no valid receiver level and no receiver or transmitter edge is detected for 30s, and wake up when a valid receiver level or receiver or transmitter edge is detected.

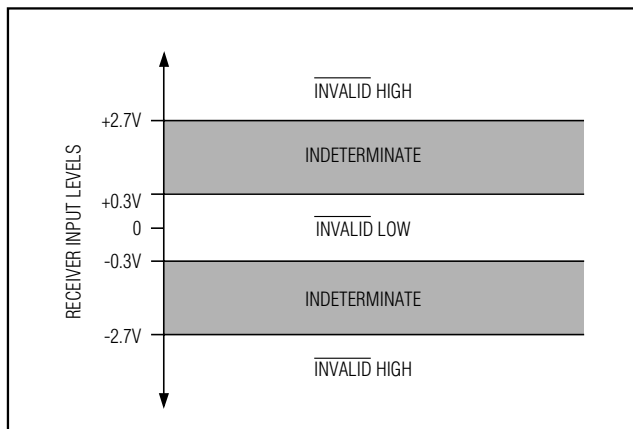


Figure 4a. Receiver Positive/Negative Thresholds for  $\overline{\text{INVALID}}$

# ±15kV ESD-Protected, 1µA, 1Mbps, 3.0V to 5.5V, RS-232 Transceivers with AutoShutdown Plus

MAX3224E-MAX3227E/MAX3244E/MAX3245E

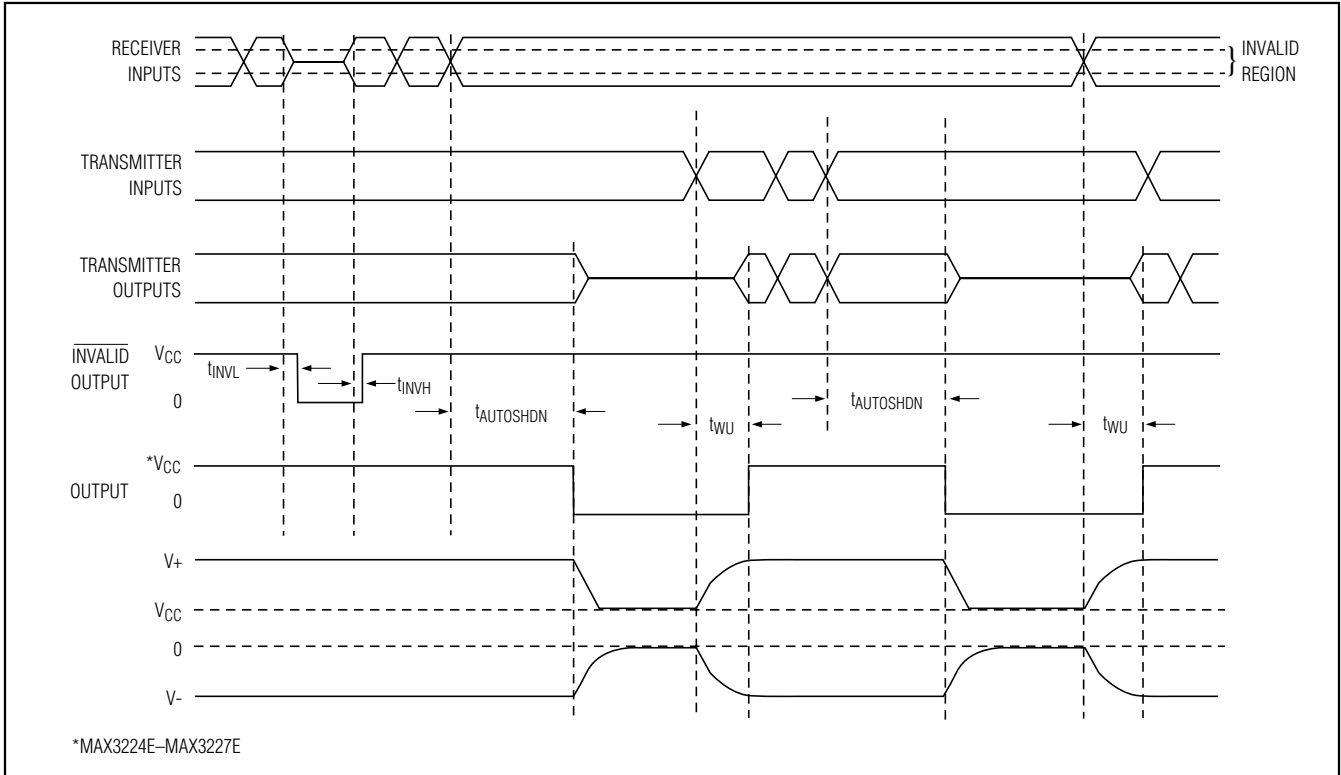


Figure 4b. AutoShutdown Plus,  $\overline{\text{INVALID}}$ , and READY Timing Diagram

By connecting FORCEON and FORCEOFF to  $\overline{\text{INVALID}}$ , the MAX3224E-MAX3227E/MAX3244E/MAX3245E shut down when no valid receiver level is detected and wake up when a valid receiver level is detected (same functionality as AutoShutdown feature on MAX3221E/MAX3223E/MAX3243E).

A mouse or other system with AutoShutdown Plus may need time to wake up. Figure 5 shows a circuit that forces the transmitters on for 100ms, allowing enough time for the other system to realize that the MAX3244E/MAX3245E is awake. If the other system outputs valid RS-232 signal transitions within that time, the RS-232 ports on both systems remain enabled.

### Software-Controlled Shutdown

If direct software control is desired, use  $\overline{\text{INVALID}}$  to indicate DTR or ring indicator signal. Tie FORCEOFF and FORCEON together to bypass the AutoShutdown Plus so the line acts like a  $\overline{\text{SHDN}}$  input.

### ±15kV ESD Protection

As with all Maxim devices, ESD-protection structures are incorporated on all pins to protect against electrostatic discharges encountered during handling and assembly.

The driver outputs and receiver inputs of the MAX3224E-MAX3227E/MAX3244E/MAX3245E have extra protection against static electricity. Maxim's engineers have developed state-of-the-art structures to protect these pins against ESD of ±15kV without damage. The ESD structures withstand high ESD in all states: normal operation, shutdown, and powered down. After an ESD

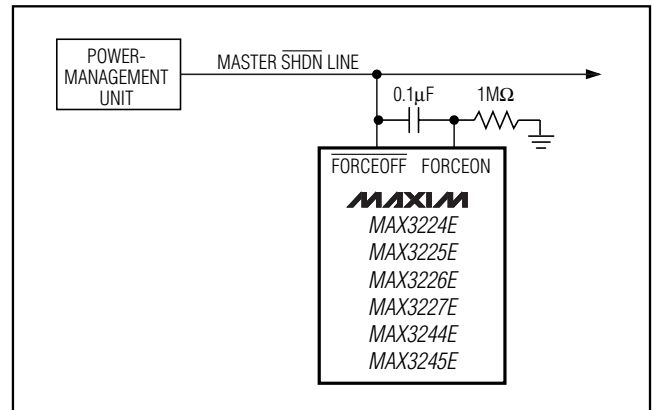


Figure 5. AutoShutdown Plus Initial Turn-On to Wake Up a Mouse or Another System

# ±15kV ESD-Protected, 1µA, 1Mbps, 3.0V to 5.5V, RS-232 Transceivers with AutoShutdown Plus

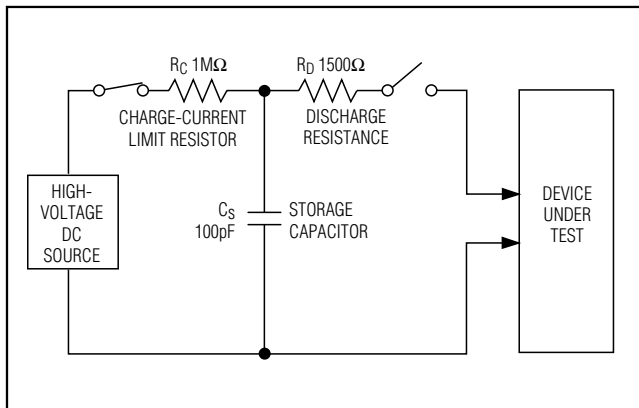


Figure 6a. Human Body ESD Test Model

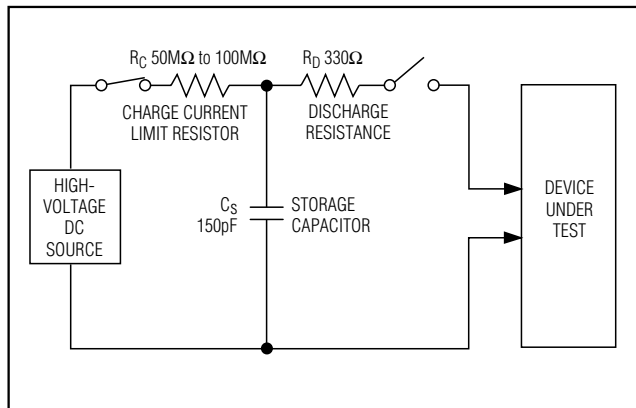


Figure 7a. IEC1000-4-2 ESD Test Model

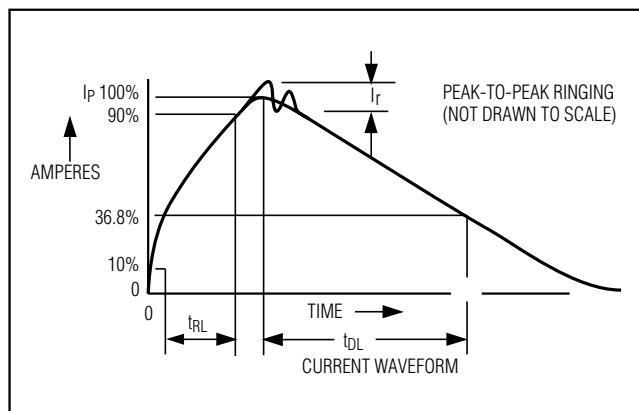


Figure 6b. Human Body Current Waveform

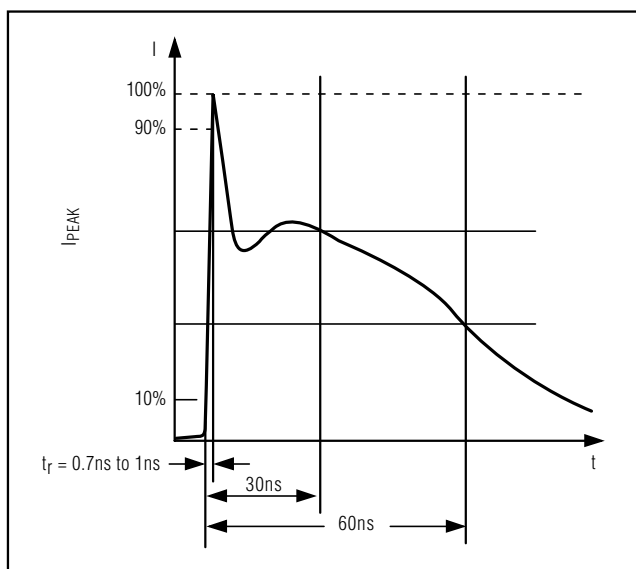


Figure 7b. IEC1000-4-2 ESD Generator Current Waveform

event, Maxim's E versions keep working without latching, whereas competing RS-232 products can latch and must be powered down to remove latching.

ESD protection can be tested in various ways; the transmitter outputs and receiver inputs of this product family are characterized for protection to the following limits:

- 1) ±15kV using the Human Body Model
- 2) ±8kV using the Contact-Discharge Method specified in IEC1000-4-2
- 3) ±15kV using IEC1000-4-2's Air-Gap Method.

### ESD Test Conditions

ESD performance depends on a variety of conditions. Contact Maxim for a reliability report that documents test setup, test methodology, and test results.

### Human Body Model

Figure 6a shows the Human Body Model and Figure 6b shows the current waveform it generates when discharged into a low impedance. This model consists of a 100pF capacitor charged to the ESD voltage of interest, which is then discharged into the test device through a 1.5kΩ resistor.

### IEC1000-4-2

The IEC1000-4-2 standard covers ESD testing and performance of finished equipment; it does not specifically refer to integrated circuits. The MAX3224E-MAX3227E, MAX3244E/MAX3245E help you design equipment that

# ±15kV ESD-Protected, 1μA, 1Mbps, 3.0V to 5.5V, RS-232 Transceivers with AutoShutdown Plus

MAX3224E-MAX3227E/MAX3244E/MAX3245E

meets Level 4 (the highest level) of IEC1000-4-2, without the need for additional ESD-protection components.

The major difference between tests done using the Human Body Model and IEC1000-4-2 is higher peak current in IEC1000-4-2, because series resistance is lower in the IEC1000-4-2 model. Hence, the ESD withstand voltage measured to IEC1000-4-2 is generally lower than that measured using the Human Body Model. Figure 7a shows the IEC1000-4-2 model and Figure 7b shows the current waveform for the 8kV, IEC1000-4-2, Level 4, ESD Contact-Discharge Method.

The Air-Gap Method involves approaching the device with a charged probe. The Contact-Discharge Method connects the probe to the device before the probe is energized.

### Machine Model

The Machine Model for ESD tests all pins using a 200pF storage capacitor and zero discharge resistance. Its objective is to emulate the stress caused by contact that occurs with handling and assembly during manufacturing. Of course, all pins require this protection during manufacturing, not just RS-232 inputs and outputs. Therefore, after PC board assembly, the Machine Model is less relevant to I/O ports.

## Applications Information

### Capacitor Selection

The capacitor type used for C1–C4 is not critical for proper operation; polarized or nonpolarized capacitors can be used. The charge pump requires 0.1μF capacitors for 3.3V operation. For other supply voltages, see Table 3 for required capacitor values. Do not use values smaller than those listed in Table 3. Increasing the capacitor values (e.g., by a factor of 2) reduces ripple on the transmitter outputs and slightly reduces power

**Table 3. Required Minimum Capacitance Values**

| V <sub>CC</sub> (V) | C1, C <sub>BYPASS</sub> (μF) | C2, C3, C4 (μF) |
|---------------------|------------------------------|-----------------|
| 3.0 to 3.6          | 0.22                         | 0.22            |
| 3.15 to 3.6         | 0.1                          | 0.1             |
| 4.5 to 5.5          | 0.047                        | 0.33            |
| 3.0 to 5.5          | 0.22                         | 1               |

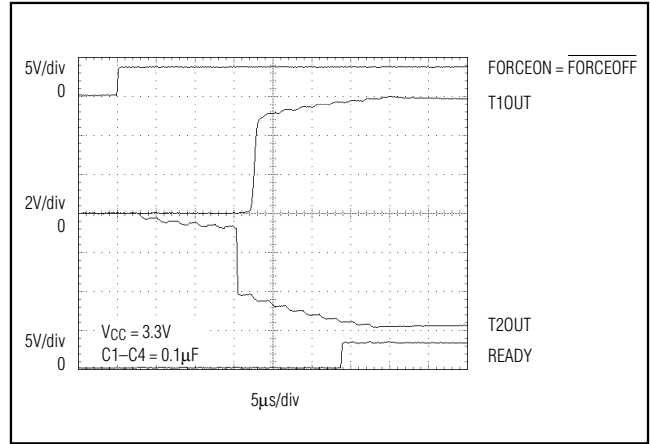


Figure 8. Transmitter Outputs when Exiting Shutdown or Powering Up

consumption. C2, C3, and C4 can be increased without changing C1's value. **However, do not increase C1 without also increasing the values of C2, C3, C4, and C<sub>BYPASS</sub>, to maintain the proper ratios (C1 to the other capacitors).**

When using the minimum required capacitor values, make sure the capacitor value does not degrade excessively with temperature. If in doubt, use capacitors with a larger nominal value. The capacitor's equivalent series resistance (ESR), which usually rises at low temperatures, influences the amount of ripple on V+ and V-.

### Power-Supply Decoupling

In most circumstances, a 0.1μF V<sub>CC</sub> bypass capacitor is adequate. In applications that are sensitive to power-supply noise, use a capacitor of the same value as charge-pump capacitor C1. Connect bypass capacitors as close to the IC as possible.

### Transmitter Outputs when Exiting Shutdown

Figure 8 shows two transmitter outputs when exiting shutdown mode. As they become active, the two transmitter outputs are shown going to opposite RS-232 lev-

# ±15kV ESD-Protected, 1µA, 1Mbps, 3.0V to 5.5V, RS-232 Transceivers with AutoShutdown Plus

els (one transmitter input is high, the other is low). Each transmitter is loaded with 3kΩ in parallel with 1000pF. The transmitter outputs display no ringing or undesirable transients as they come out of shutdown. Note that the transmitters are enabled only when the magnitude of V- exceeds approximately -3V.

### High Data Rates

The MAX3224E/MAX3226E/MAX3244E maintain the RS-232 ±5.0V minimum transmitter output voltage even at high data rates. Figure 9 shows a transmitter loopback test circuit. Figure 10 shows a loopback test result at 120kbps, and Figure 11 shows the same test at 250kbps. For Figure 10, all transmitters were driven simultaneously at 120kbps into RS-232 loads in parallel with 1000pF. For Figure 11, a single transmitter was driven at 250kbps, and all transmitters were loaded with an RS-232 receiver in parallel with 250pF.

The MAX3225E/MAX3227E/MAX3245E maintain the RS-232 ±5.0V minimum transmitter output voltage at data rates up to 1Mbps (MegaBaud). Figure 12 shows a loopback test result with a single transmitter driven at 1Mbps and all transmitters loaded with an RS-232 receiver in parallel with 250pF.

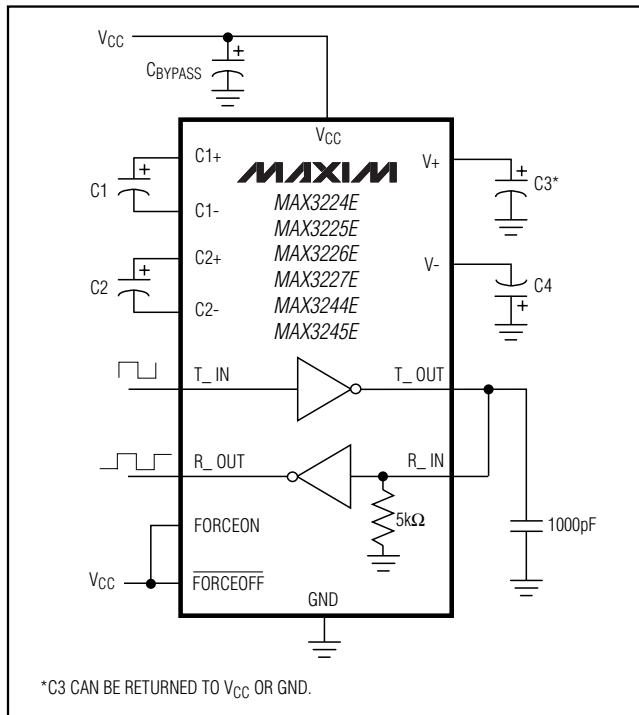


Figure 9. Loopback Test Circuit

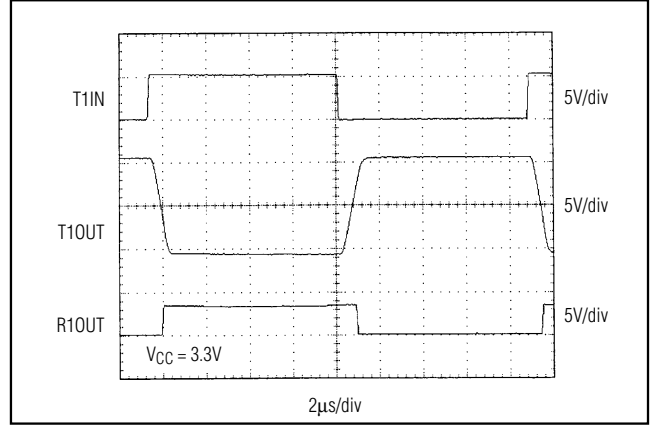


Figure 10. MAX3224E/MAX3226E/MAX3244E Loopback Test Result at 120kbps

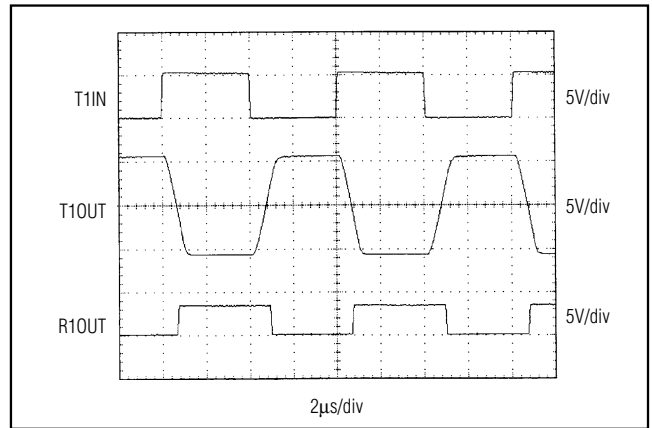


Figure 11. MAX3224E/MAX3226E/MAX3244E Loopback Test Result at 250kbps

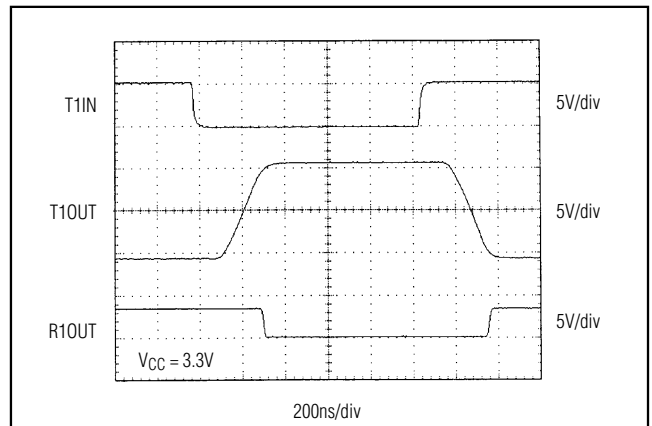


Figure 12. MAX3225E/MAX3227E/MAX3245E Loopback Test Result at 1Mbps

# ±15kV ESD-Protected, 1µA, 1Mbps, 3.0V to 5.5V, RS-232 Transceivers with AutoShutdown Plus

MAX3224E-MAX3227E/MAX3244E/MAX3245E

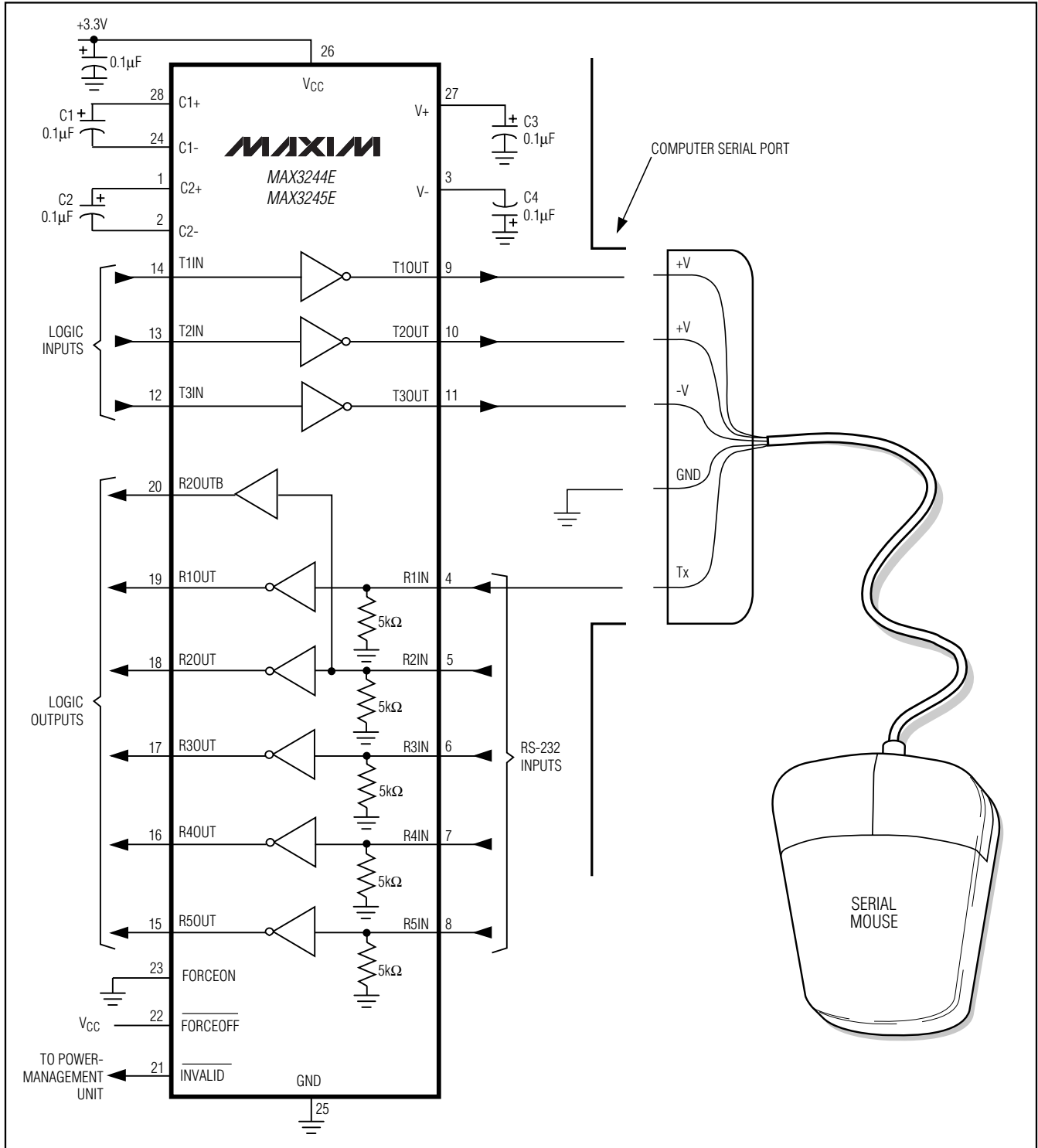


Figure 13a. Mouse Driver Test Circuit

# ±15kV ESD-Protected, 1µA, 1Mbps, 3.0V to 5.5V, RS-232 Transceivers with AutoShutdown Plus

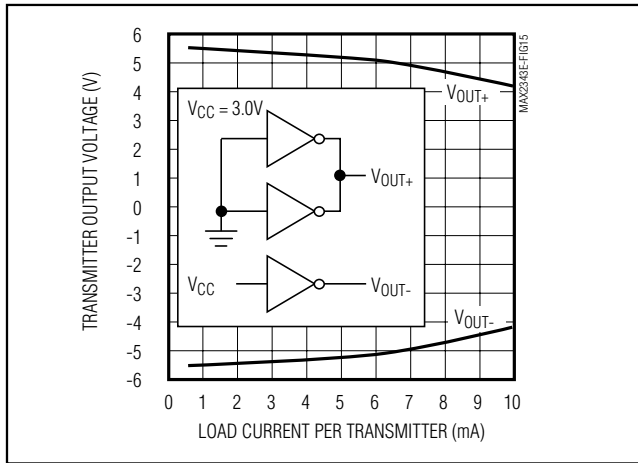


Figure 13b. MAX324\_E Transmitter Output Voltage vs. Load Current per Transmitter

The MAX3244E/MAX3245E are specifically designed to power serial mice while operating from low-voltage power supplies. They have been tested with leading mouse brands from manufacturers such as Microsoft and Logitech. The MAX3244E/MAX3245E successfully drove all serial mice tested and met their respective current and voltage requirements. The MAX3244E/MAX3245E dual charge pump ensures the transmitters supply at least ±5V during worst-case conditions. Figure 13b shows the transmitter output voltages under increasing load current. Figure 13a shows a typical mouse connection.

### Interconnection with 3V and 5V Logic

The MAX3224E-MAX3227E/MAX3244E/MAX3245E can directly interface with various 5V logic families, including ACT and HCT CMOS. See Table 4 for more information on possible combinations of interconnections.

Table 5 lists other Maxim ESD-powered transceivers.

### Mouse Driveability

Table 4. Logic Family Compatibility with Various Supply Voltages

| SYSTEM POWER-SUPPLY VOLTAGE (V) | V <sub>CC</sub> SUPPLY VOLTAGE (V) | COMPATIBILITY   |
|---------------------------------|------------------------------------|---|
| 3.3                             | 3.3                                | Compatible with all CMOS families                                 |
| 5                               | 5                                  | Compatible with all TTL and CMOS families                         |
| 5                               | 3.3                                | Compatible with ACT and HCT CMOS, and with AC, HC, or CD4000 CMOS |

Table 5. ±15kV ESD-Protected, 3.0V to 5.5V Powered RS-232 Transceivers from Maxim

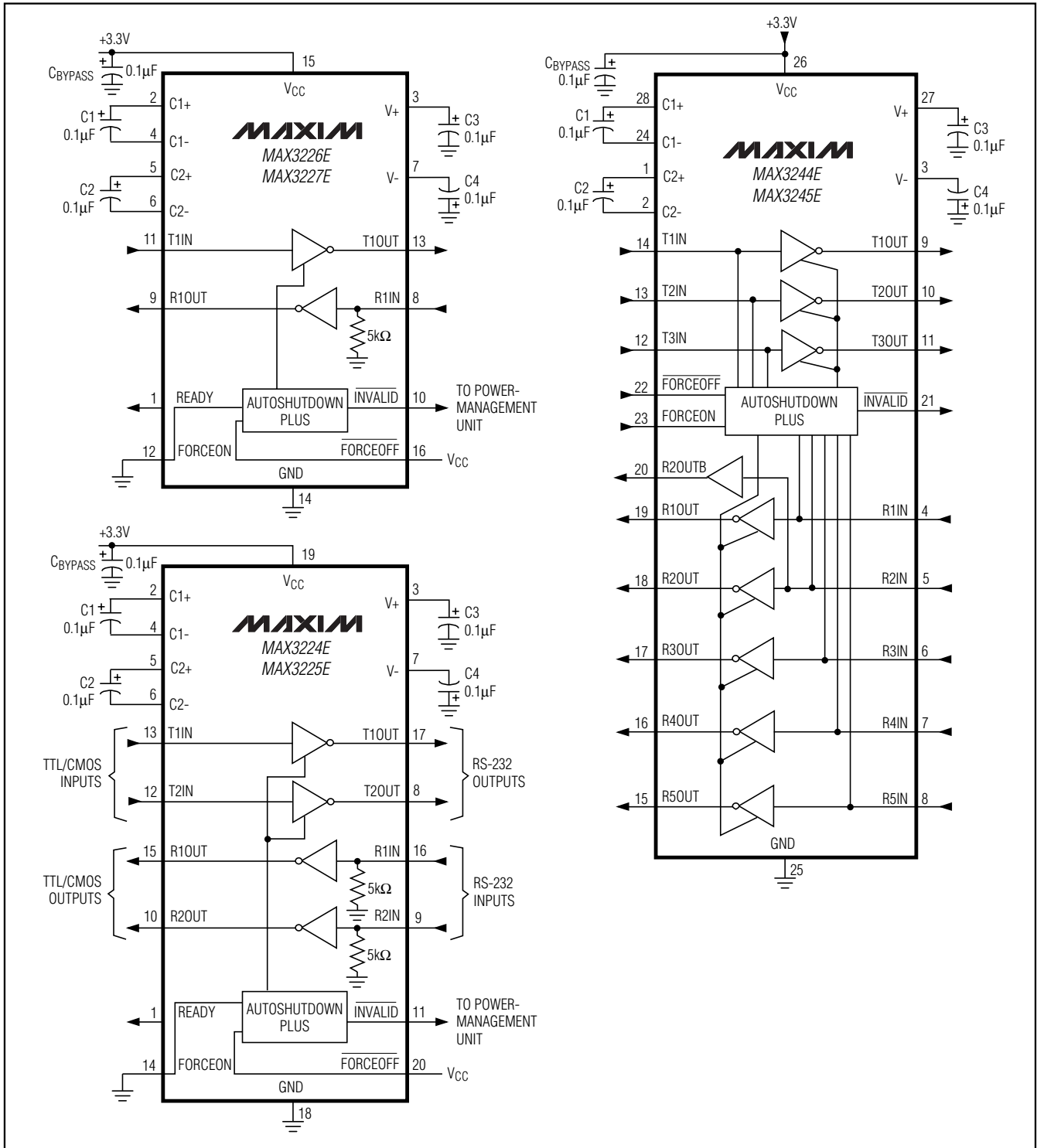
| PART     | SUPPLY VOLTAGE RANGE (V) | NO. OF Tx/Rx | SUPPLY CURRENT (µA) | Auto-Shutdown Plus | Auto-Shutdown | Human Body Model (kV) | IEC 1000-4-2 Contact Discharge (kV) | IEC 1000-4-2 Air-Gap Discharge (kV) | GUARANTEED DATA RATE (kbps) |
|----------|--------------------------|--------------|---------------------|--------------------|---------------|-----------------------|-------------------------------------|-------------------------------------|-----------------------------|
| MAX3241E | +3.0 to +5.5             | 3/5          | 300                 | —                  | —             | ±15                   | ±8                                  | ±15                                 | 250                         |
| MAX3243E | +3.0 to +5.5             | 3/5          | 1                   | —                  | Yes           | ±15                   | ±8                                  | ±15                                 | 250                         |
| MAX3244E | +3.0 to +5.5             | 3/5          | 1                   | Yes                | —             | ±15                   | ±8                                  | ±15                                 | 250                         |
| MAX3245E | +3.0 to +5.5             | 3/5          | 1                   | Yes                | —             | ±15                   | ±8                                  | ±15                                 | 1Mbps                       |
| MAX3232E | +3.0 to +5.5             | 2/2          | 300                 | —                  | —             | ±15                   | ±8                                  | ±15                                 | 250                         |
| MAX3222E | +3.0 to +5.5             | 2/2          | 300                 | —                  | —             | ±15                   | ±8                                  | ±15                                 | 250                         |
| MAX3223E | +3.0 to +5.5             | 2/2          | 1                   | —                  | Yes           | ±15                   | ±8                                  | ±15                                 | 250                         |
| MAX3224E | +3.0 to +5.5             | 2/2          | 1                   | Yes                | —             | ±15                   | ±8                                  | ±15                                 | 250                         |
| MAX3225E | +3.0 to +5.5             | 2/2          | 1                   | Yes                | —             | ±15                   | ±8                                  | ±15                                 | 1Mbps                       |
| MAX3221E | +3.0 to +5.5             | 1/1          | 1                   | —                  | Yes           | ±15                   | ±8                                  | ±15                                 | 250                         |
| MAX3226E | +3.0 to +5.5             | 1/1          | 1                   | Yes                | —             | ±15                   | ±8                                  | ±15                                 | 250                         |
| MAX3227E | +3.0 to +5.5             | 1/1          | 1                   | Yes                | —             | ±15                   | ±8                                  | ±15                                 | 1Mbps                       |



# ±15kV ESD-Protected, 1µA, 1Mbps 3.0V to 5.5V, RS-232 Transceivers with AutoShutdown Plus

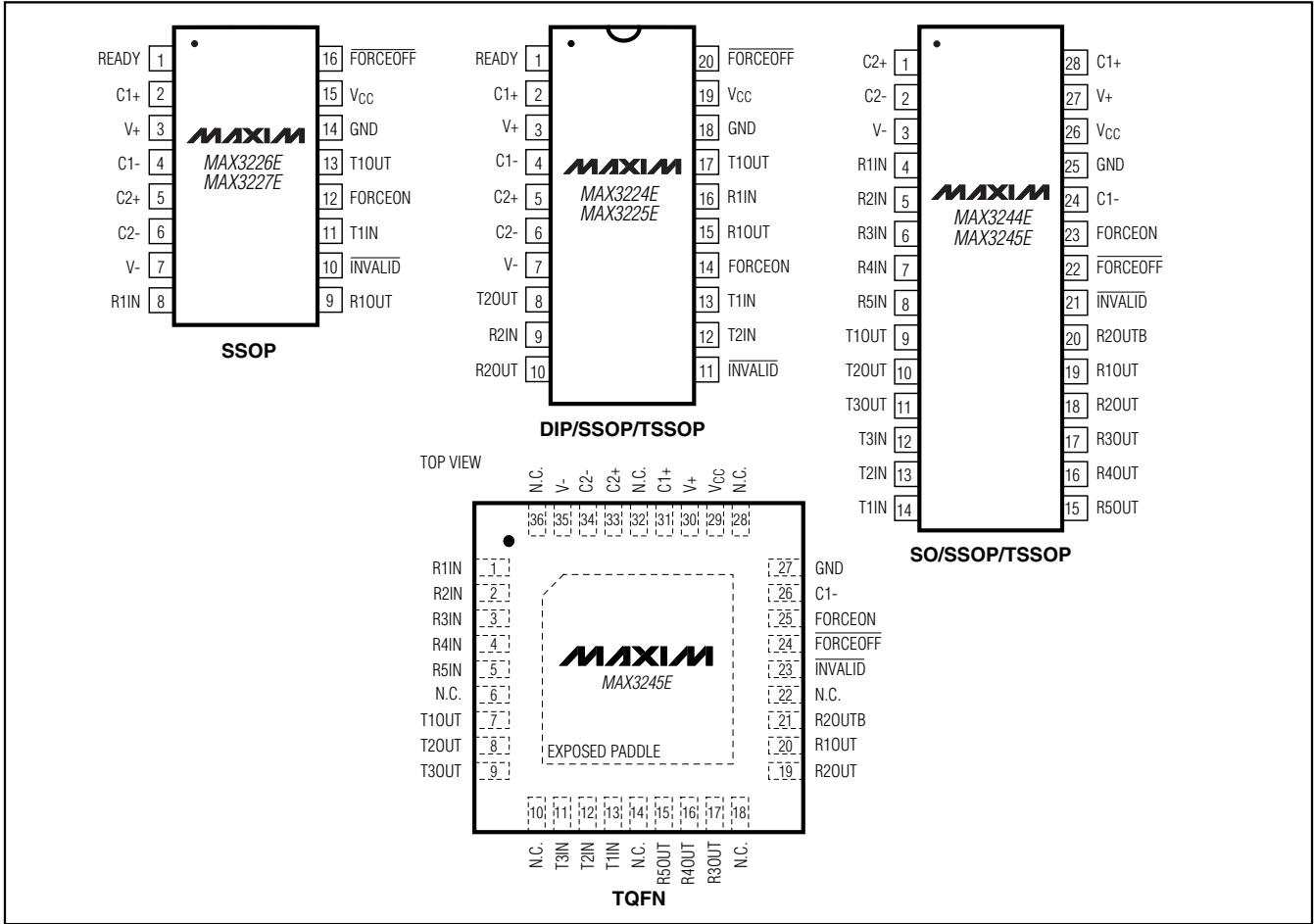
## Typical Operating Circuits

MAX3224E-MAX3227E/MAX3244E/MAX3245E



# ±15kV ESD-Protected, 1µA, 1Mbps 3.0V to 5.5V, RS-232 Transceivers with AutoShutdown Plus

## Pin Configurations



### Ordering Information (continued)

| PART        | TEMP RANGE     | PIN-PACKAGE |
|-------------|----------------|-------------|
| MAX3244ECWI | 0°C to +70°C   | 28 Wide SO  |
| MAX3244ECAI | 0°C to +70°C   | 28 SSOP     |
| MAX3244ECUI | 0°C to +70°C   | 28 TSSOP    |
| MAX3244EEWI | -40°C to +85°C | 28 Wide SO  |
| MAX3244EEAI | -40°C to +85°C | 28 SSOP     |
| MAX3244EEUI | -40°C to +85°C | 28 TSSOP    |
| MAX3245ECWI | 0°C to +70°C   | 28 Wide SO  |
| MAX3245ECAI | 0°C to +70°C   | 28 SSOP     |
| MAX3245EEAI | 0°C to +70°C   | 28 SSOP     |
| MAX3245ECTX | 0°C to +70°C   | 36 TQFN     |
| MAX3245EEWI | -40°C to +85°C | 28 Wide SO  |
| MAX3245EEUI | -40°C to +85°C | 28 TSSOP    |
| MAX3245EETX | -40°C to +85°C | 36 TQFN     |

### Chip Information

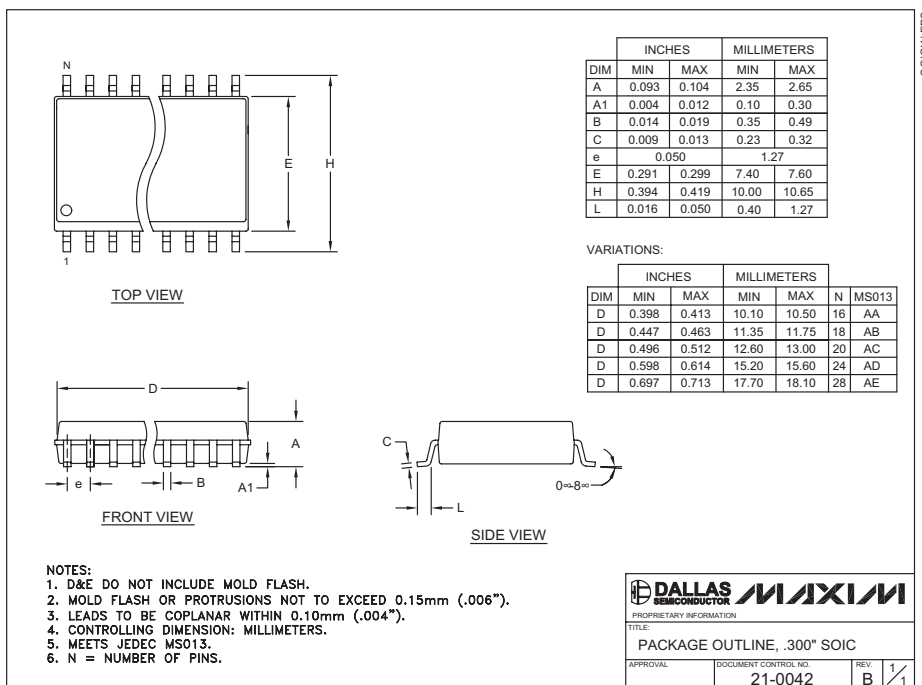
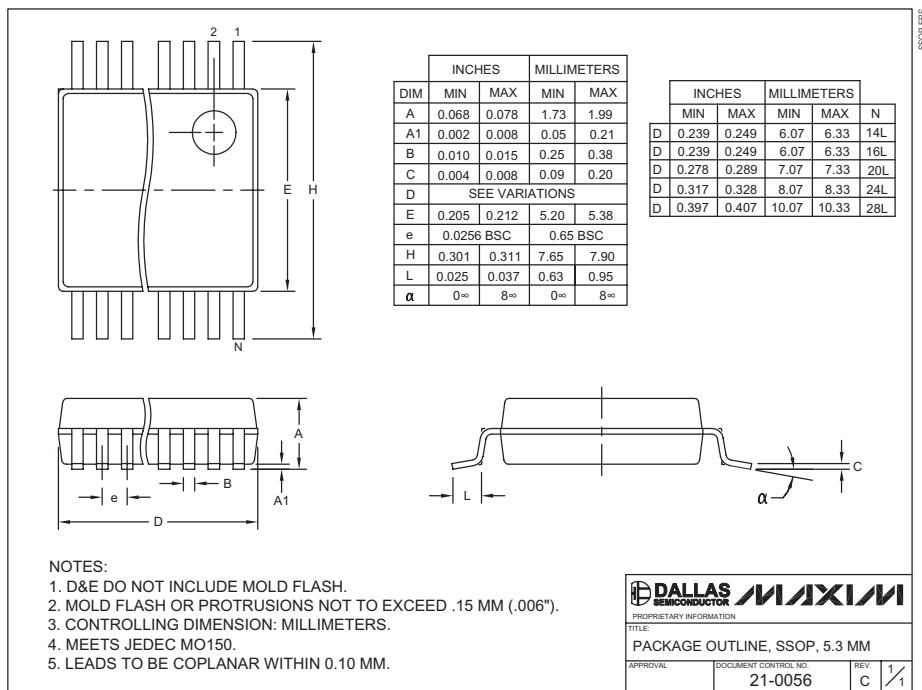
MAX3224E TRANSISTOR COUNT: 1129  
 MAX3225E TRANSISTOR COUNT: 1129  
 MAX3226E TRANSISTOR COUNT: 1129  
 MAX3227E TRANSISTOR COUNT: 1129  
 MAX3244E/MAX3245E TRANSISTOR COUNT: 1335

# ±15kV ESD-Protected, 1μA, 1Mbps 3.0V to 5.5V, RS-232 Transceivers with AutoShutdown Plus

## Package Information

(The package drawing(s) in this data sheet may not reflect the most current specifications. For the latest package outline information, go to [www.maxim-ic.com/packages](http://www.maxim-ic.com/packages).)

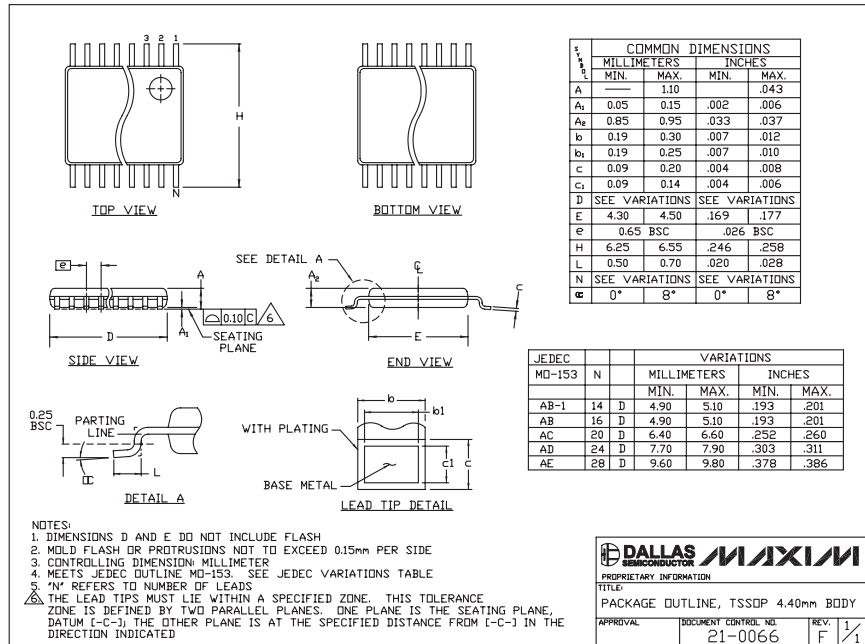
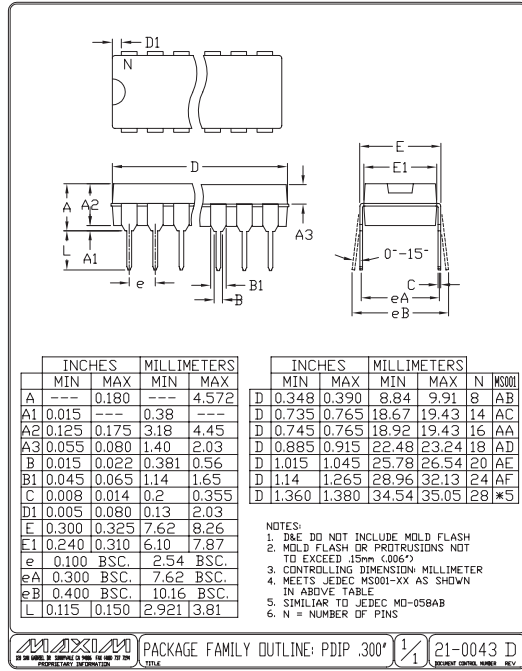
MAX3224E-MAX3227E/MAX3244E/MAX3245E



# ±15kV ESD-Protected, 1µA, 1Mbps 3.0V to 5.5V, RS-232 Transceivers with AutoShutdown Plus

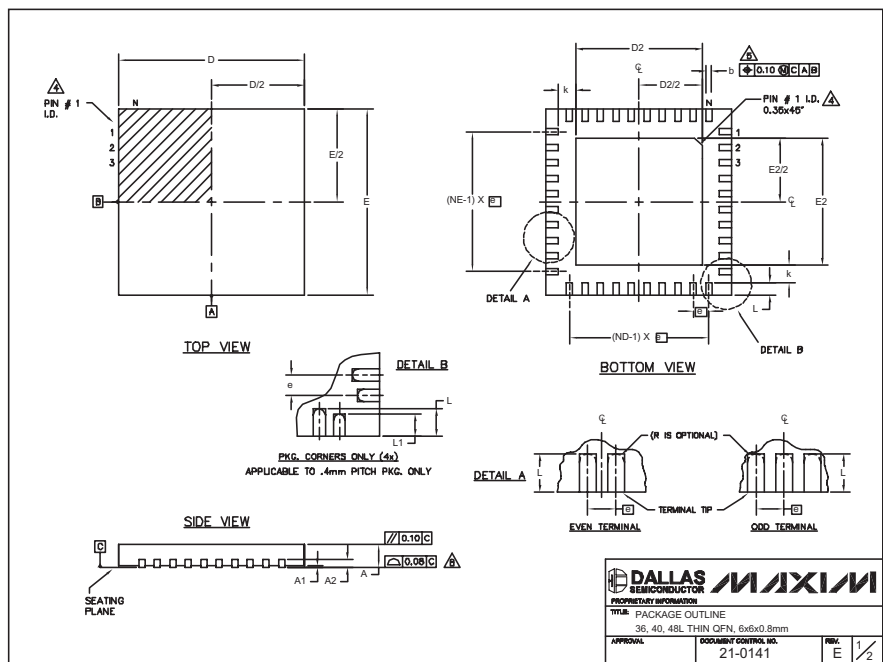
## Package Information (continued)

(The package drawing(s) in this data sheet may not reflect the most current specifications. For the latest package outline information, go to [www.maxim-ic.com/packages](http://www.maxim-ic.com/packages).)



## Package Information (continued)

(The package drawing(s) in this data sheet may not reflect the most current specifications. For the latest package outline information, go to [www.maxim-ic.com/packages](http://www.maxim-ic.com/packages).)



| COMMON DIMENSIONS |           |      |      |           |      |      |           |      |      |
|-------------------|-----------|------|------|-----------|------|------|-----------|------|------|
| PKG. SYMBOL       | 36L 6x6   |      |      | 40L 6x6   |      |      | 48L 6x6   |      |      |
|                   | MIN.      | NOM. | MAX. | MIN.      | NOM. | MAX. | MIN.      | NOM. | MAX. |
| A                 | 0.70      | 0.75 | 0.80 | 0.70      | 0.75 | 0.80 | 0.70      | 0.75 | 0.80 |
| A1                | 0         | 0.02 | 0.05 | 0         | 0.02 | 0.05 | 0         | 0    | 0.05 |
| A2                | 0.20 REF. |      |      | 0.20 REF. |      |      | 0.20 REF. |      |      |
| b                 | 0.20      | 0.25 | 0.30 | 0.20      | 0.25 | 0.30 | 0.15      | 0.20 | 0.25 |
| D                 | 5.90      | 6.00 | 6.10 | 5.90      | 6.00 | 6.10 | 5.80      | 6.00 | 6.10 |
| E                 | 5.90      | 6.00 | 6.10 | 5.90      | 6.00 | 6.10 | 5.80      | 6.00 | 6.10 |
| e                 | 0.50 BSC. |      |      | 0.50 BSC. |      |      | 0.40 BSC. |      |      |
| k                 | 0.25      | -    | -    | 0.25      | -    | -    | 0.25      | 0.35 | 0.45 |
| L                 | 0.45      | 0.55 | 0.85 | 0.30      | 0.40 | 0.50 | 0.40      | 0.50 | 0.60 |
| L1                | -         | -    | -    | -         | -    | -    | 0.30      | 0.40 | 0.50 |
| N                 | 36        |      |      | 40        |      |      | 48        |      |      |
| ND                | 9         |      |      | 10        |      |      | 12        |      |      |
| NE                | 9         |      |      | 10        |      |      | 12        |      |      |
| JEDEC             | WQJ-1     |      |      | WQJ-2     |      |      | -         |      |      |

| PKG. CODES | EXPOSED PAD VARIATIONS |      |      |      |      |      | DOWN BONDS ALLOWED |
|------------|------------------------|------|------|------|------|------|--------------------|
|            | D2                     |      |      | E2   |      |      |                    |
|            | MIN.                   | NOM. | MAX. | MIN. | NOM. | MAX. |                    |
| T3666-1    | 3.60                   | 3.70 | 3.80 | 3.60 | 3.70 | 3.80 | NO                 |
| T3666-2    | 3.60                   | 3.70 | 3.80 | 3.60 | 3.70 | 3.80 | YES                |
| T3666-3    | 3.60                   | 3.70 | 3.80 | 3.60 | 3.70 | 3.80 | NO                 |
| T4066-1    | 4.00                   | 4.10 | 4.20 | 4.00 | 4.10 | 4.20 | NO                 |
| T4066-2    | 4.00                   | 4.10 | 4.20 | 4.00 | 4.10 | 4.20 | YES                |
| T4066-3    | 4.00                   | 4.10 | 4.20 | 4.00 | 4.10 | 4.20 | YES                |
| T4066-4    | 4.00                   | 4.10 | 4.20 | 4.00 | 4.10 | 4.20 | NO                 |
| T4066-5    | 4.00                   | 4.10 | 4.20 | 4.00 | 4.10 | 4.20 | NO                 |
| T4866-1    | 4.20                   | 4.30 | 4.40 | 4.20 | 4.30 | 4.40 | YES                |

NOTES:

- DIMENSIONING & TOLERANCING CONFORM TO ASME Y14.5M-1994.
- ALL DIMENSIONS ARE IN MILLIMETERS. ANGLES ARE IN DEGREES.
- N IS THE TOTAL NUMBER OF TERMINALS.
- THE TERMINAL #1 IDENTIFIER AND TERMINAL NUMBERING CONVENTION SHALL CONFORM TO JESD 95-1 SPP-012. DETAILS OF TERMINAL #1 IDENTIFIER ARE OPTIONAL, BUT MUST BE LOCATED WITHIN THE ZONE INDICATED. THE TERMINAL #1 IDENTIFIER MAY BE EITHER A MOLD OR MARKED FEATURE.
- DIMENSION b APPLIES TO METALLIZED TERMINAL AND IS MEASURED BETWEEN 0.25 mm AND 0.30 mm FROM TERMINAL TIP.
- ND AND NE REFER TO THE NUMBER OF TERMINALS ON EACH D AND E SIDE RESPECTIVELY.
- DEPOPULATION IS POSSIBLE IN A SYMMETRICAL FASHION.
- COPLANARITY APPLIES TO THE EXPOSED HEAT SINK SLUG AS WELL AS THE TERMINALS.
- DRAWING CONFORMS TO JEDEC MO220, EXCEPT FOR 0.4mm LEAD PITCH PACKAGE T4866-1.
- WARPAGE SHALL NOT EXCEED 0.10 mm.

|                                 |                      |              |     |
|---------------------------------|----------------------|--------------|-----|
| <b>DALLAS SEMICONDUCTOR</b>     |                      | <b>MAXIM</b> |     |
| PROFESSIONAL INFORMATION        |                      |              |     |
| TITLE: PACKAGE OUTLINE          |                      |              |     |
| 36, 40, 48L THIN QFN, 6x6x0.8mm |                      |              |     |
| APPROVAL                        | DOCUMENT CONTROL NO. | REV.         | 1/2 |
|                                 | 21-0141              | E            | 2   |

Maxim cannot assume responsibility for use of any circuitry other than circuitry entirely embodied in a Maxim product. No circuit patent licenses are implied. Maxim reserves the right to change the circuitry and specifications without notice at any time.

**Maxim Integrated Products, 120 San Gabriel Drive, Sunnyvale, CA 94086 408-737-7600** 21